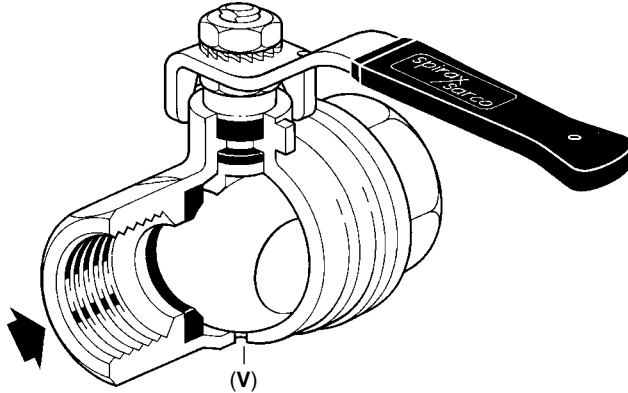


**Spirax-Monnier
Venting and Non-venting Ball valves**



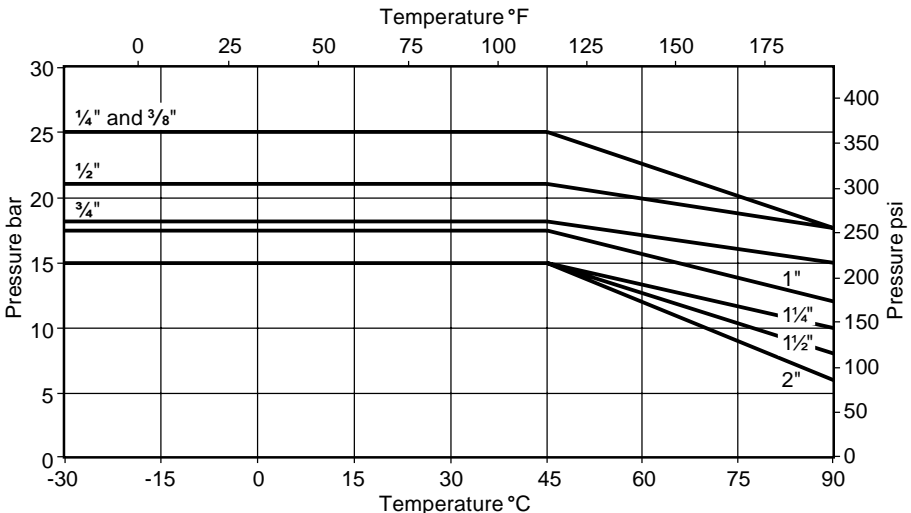
Description

A full bore ball valve suitable for compressed air and other fluids and gases compatible with the materials of construction and temperature/pressure limits. When the valve is moved to the closed position (supply off) on self-venting models, the downstream pressure will slowly exhaust through the vent orifice (V). Self-venting models carry a flow direction arrow.

Illustration shows the self-venting valve in the closed position.

No spares are available

Operating limits



Spirax-Monnier products

General Safety, Installation and Maintenance Guidelines

WARNING

As with all pressurised systems, do not attempt any Installation or Maintenance function if there is any pressure in the product or connected system.

Spirax-Monnier

Spirax-Monnier compressed air products are of well proven and simple design, with high natural levels of designed safety built in. However, used or installed incorrectly, their performance and that of the system they are protecting or controlling, may suffer. The information given indicates the product limiting conditions, maintenance and installation requirements and any specific component disposal needs.

Installation and operation

1. Filters, filter / regulators, lubricators, flowmeters, separators and drain traps should be fitted in horizontal pipelines, with the bowls vertically downwards.
2. Regulators and ball valves can be installed in any position.
3. On pressure regulators and combined filter / regulators, a pressure gauge can be connected to one of the 1/8" ports. The gauge should be selected to cover the maximum pressure range of the main control spring. The gauge will indicate the downstream or controlled pressure.
4. Ensure that the control spring range for regulators and filter / regulators fully meets the pressure requirements of the system.
5. There are maximum operating pressures, and maximum operating and environmental temperatures for each product. These are shown in the Table opposite.
6. Adequate space should be provided around any product to allow easy access for routine servicing requirements.
7. Products fitted with a bowl (polycarbonate or metal) should be adequately drained - manually or automatically - to reduce the potentially harmful effects of water carryover.
8. **WARNING** Polycarbonate bowls and sight domes, and sight levels fitted to metal bowls, may be attacked by phosphate ester based fluids, solvents, chemical cleaners, carbon tetrachloride, etc. These and other similar substances should never be allowed to come into contact with these product components. Certain compressor lubricating oils also contain additives harmful to these components. Where there is any doubt, we recommend, in the interests of safety, that bowl guards or metal bowls are fitted.
9. Local regulations may restrict the use of this product below the conditions quoted.
10. For more detailed information on any individual product, please ask for the appropriate Technical Information Sheet listed in the Table opposite.

For maximum pressures / temperatures see opposite page

Maximum pressure / temperatures

Filters	Polycarbonate bowl		Metal bowl		Metal bowl with sight level		Disposal class	TI sheet
	bar	°C	bar	°C	bar	°C		
MF2	10	50	-	-	-	-	1 and 3	P050-05
IF2 / D / A	10	50	17	80	17	70	1 and 2	P500-01
IC3 / 4 / DA	10	50	17	80	17	70	1 and 2	P501-01
IXI	10	50	17	70	17	70	1 and 2	P057-01
SF3 / A	-	-	17	80	17	70	1 and 3	P050-03

Regulators

MR1 / 2 / 3	21 bar 70°C: Control ranges: 0.2 to 2.0, 0.3 to 4, 0.7 to 9 bar						1 and 3	P051-01
IRI	20 bar 70°C: Control ranges: 0.2 to 3.5, 0.5 to 10 bar						1 and 2	P058-01
SR2	21 bar 70°C: Control ranges: 1.3 to 17.0 bar						1 and 3	P570-01
SR3	21 bar 70°C: Control ranges: 0.2 to 4, 0.3 to 9 bar						1 and 3	P570-03

Filter regulators

IP2 / A / D	10	50	17	80	17	70	1 and 2	P510-01
	Ranges: 0.2 to 3.5, 0.5 to 10 bar							
MP2	10	50	-	-	-	-	1 and 3	P054-01
	Ranges: 0.2 to 2.0, 0.3 to 4.0, 0.7 to 9.0 bar							
MPC2	10	50	-	-	-	-	1 and 3	P054-04
	Ranges: 0.2 to 2.0, 0.3 to 4.0, 0.7 to 9.0 bar							

Lubricators

ML3	10	50	-	-	-	-	1 and 3	P052-07
IL1	10	50	17	80	17	70	1 and 2	P059-01
SL3	-	-	17	80	17	70	1 and 3	P052-04

Other products

IFM2	10	50	-	-	-	-	1 and 2	P580-01
S.M.S.	-	-	17	70°C	-	-	1 and 3	P050-17
Ball valves (all)	see performance graph on TI for full details						1 and 4	P560-01
Dri-line	-	-	16	80°C	-	-	1 and 3	P050-07

Disposal

1. Some plastic and / or rubber components
2. Main body zinc - epoxy coated
3. Main body aluminium - epoxy coated
4. Brass and steel
5. Electronic components

Note: Customers are reminded that under UK and EC Health, Safety and Environmental Law, when returning products to Spirax Sarco they must provide information on any hazards and the precautions to be taken due to contamination residues or mechanical damage which may present a health, safety or environmental risk. This information must be provided in writing including Health and Safety data sheets relating to any substances identified as hazardous.

