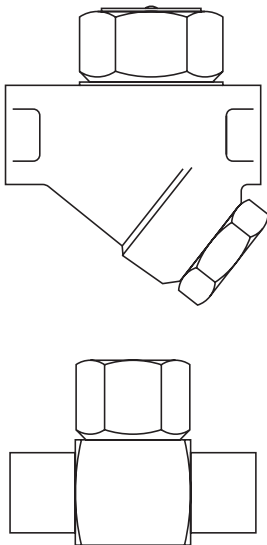


**Airodyn, BRair and BRoil
Compressed Air Drain Traps
Installation and Maintenance Instructions**



1. *Safety information*
2. *General product information*
3. *Installation*
4. *Commissioning*
5. *Operation*
6. *Maintenance*
7. *Spare parts*

1. Safety information

Safe operation of these products can only be guaranteed if they are properly installed, commissioned, used and maintained by qualified personnel (see Section 1.11) in compliance with the operating instructions. General installation and safety instructions for pipeline and plant construction, as well as the proper use of tools and safety equipment must also be complied with.

1.1 Intended use

Referring to the Installation and Maintenance Instructions, name-plate and Technical Information Sheet, check that the product is suitable for the intended use/application. The products listed below comply with the requirements of the European Pressure Equipment Directive 97/23/EC and carry the CE mark when so required.

Product	Group 1 Gases	Group 2 Gases	Group 1 Liquids	Group 2 Liquids
BRair	SEP	SEP	SEP	SEP
BRoil	SEP	SEP	SEP	SEP
Airodyn	SEP	SEP	SEP	SEP

- i) The products have been specifically designed for use on propane or methane gases which are in Group 1 of the above mentioned Pressure Equipment Directive. They can also be used on steam, air or condensate which are in Group 2 of the above mentioned Pressure Equipment Directive. The products' use on other fluids may be possible but, if this is contemplated, Spirax Sarco should be contacted to confirm the suitability of the product for the application being considered.
- ii) Check material suitability, pressure and temperature and their maximum and minimum values. If the maximum operating limits of the product are lower than those of the system in which it is being fitted, or if malfunction of the product could result in a dangerous overpressure or overtemperature occurrence, ensure a safety device is included in the system to prevent such over-limit situations.
- iii) Determine the correct installation situation and direction of fluid flow.
- iv) Spirax Sarco products are not intended to withstand external stresses that may be induced by any system to which they are fitted. It is the responsibility of the installer to consider these stresses and take adequate precautions to minimise them.
- v) Remove protective covers from all connections and protective film from all name-plates, where appropriate, before installation on a steam or other high temperature applications.

1.2 Access

Ensure safe access and if necessary a safe working platform (suitably guarded) before attempting to work on the product. Arrange suitable lifting gear if required.

1.3 Lighting

Ensure adequate lighting, particularly where detailed or intricate work is required.

1.4 Hazardous liquids or gases in the pipeline

Consider what is in the pipeline or what may have been in the pipeline at some previous time. Consider: flammable materials, substances hazardous to health, extremes of temperature.

1.5 Hazardous environment around the product

Consider: explosion risk areas, lack of oxygen (e.g. tanks, pits), dangerous gases, extremes of temperature, hot surfaces, fire hazard (e.g. during welding), excessive noise, moving machinery.

1.6 The system

Consider the effect on the complete system of the work proposed. Will any proposed action (e.g. closing isolation valves, electrical isolation) put any other part of the system or any personnel at risk?

Dangers might include isolation of vents or protective devices or the rendering ineffective of controls or alarms. Ensure isolation valves are turned on and off in a gradual way to avoid system shocks.

1.7 Pressure systems

Ensure that any pressure is isolated and safely vented to atmospheric pressure. Consider double isolation (double block and bleed) and the locking or labelling of closed valves. Do not assume that the system has depressurised even when the pressure gauge indicates zero.

1.8 Temperature

Allow time for temperature to normalise after isolation to avoid danger of burns. If parts made from Viton have been subjected to a temperature approaching 315°C (599°F) or higher, they may have decomposed and formed hydrofluoric acid. Avoid skin contact and inhalation of any fumes as the acid will cause deep skin burns and damage the respiratory system.

1.9 Tools and consumables

Before starting work ensure that you have suitable tools and/or consumables available. Use only genuine Spirax Sarco replacement parts.

1.10 Protective clothing

Consider whether you and/or others in the vicinity require any protective clothing to protect against the hazards of, for example, chemicals, high/low temperature, radiation, noise, falling objects, and dangers to eyes and face.

1.11 Permits to work

All work must be carried out or be supervised by a suitably competent person. Installation and operating personnel should be trained in the correct use of the product according to the Installation and Maintenance Instructions.

Where a formal 'permit to work' system is in force it must be complied with. Where there is no such system, it is recommended that a responsible person should know what work is going on and, where necessary, arrange to have an assistant whose primary responsibility is safety.

Post 'warning notices' if necessary.

1.12 Handling

Manual handling of large and/or heavy products may present a risk of injury. Lifting, pushing, pulling, carrying or supporting a load by bodily force can cause injury particularly to the back. You are advised to assess the risks taking into account the task, the individual, the load and the working environment and use the appropriate handling method depending on the circumstances of the work being done.

1.13 Residual hazards

In normal use the external surface of the product may be very hot. If used at the maximum permitted operating conditions the surface temperature of some products may reach temperatures of 200°C (392°F).

Many products are not self-draining. Take due care when dismantling or removing the product from an installation (refer to Section 6 'Maintenance instructions').

1.14 Freezing

Provision must be made to protect products which are not self-draining against frost damage in environments where they may be exposed to temperatures below freezing point.

1.15 Disposal

Unless otherwise stated in the Installation and Maintenance Instructions, this product is recyclable and no ecological hazard is anticipated with its disposal providing due care is taken.

1.15 Returning products

Customers and stockists are reminded that under EC Health, Safety and Environment Law, when returning products to Spirax Sarco they must provide information on any hazards and the precautions to be taken due to contamination residues or mechanical damage which may present a health, safety or environmental risk. This information must be provided in writing including Health and Safety data sheets relating to any substances identified as hazardous or potentially hazardous.

— 2. General product information —

2.1 General description

Airodyn

The Airodyn is a maintainable thermodynamic type compressed air drain trap. The external body surfaces have electroless nickel plated (ENP) which is oxidation resistant.

Airodyn 'S'

The Airodyn 'S' is also available with a fine lap disc for use on ultra clean systems where the standard Airodyn may not be suitable.

BRair

The BRair is a maintainable thermodynamic type compressed air drain trap, specifically for use on railway rolling stock (British Rail Cat. no. 61/41955). The external body surfaces have electroless nickel preparation (ENP) which is oxidation resistant.

BRoil

The BRoil is maintainable thermodynamic type compressed air drain trap, specifically designed to remove small quantities of oil contaminated condensate, for use on railway rolling stock.

Standards

These products fully comply with the requirements of the European Pressure Equipment Directive 97/23/EC.

Certification

These products are available with certification to EN 10204 3.1. **Note:** All certification/inspection requirements must be stated at the time of order placement.

Note: For further information see the following Technical Information Sheets:

Airodyn - TI-P610-05, **BRair** - TI-P610-03 and **BRoil** - TI-P610-10.

2.2 Sizes and pipe connections

1/2" screwed BSP or NPT. 3/4" screwed NPT (Airodyn only).

2.3 Optional extras

As an optional extra, a silencer complete with elbow and reducer is available for the **BRoil** air trap only.

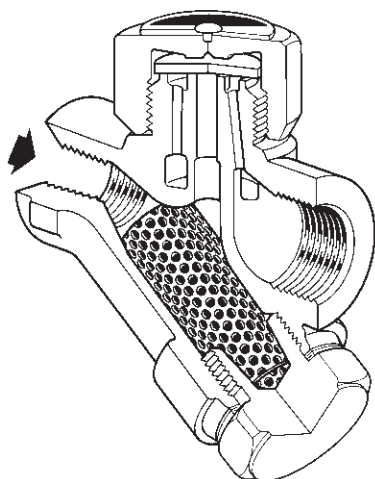


Fig. 1 Airodyn / BRair air traps

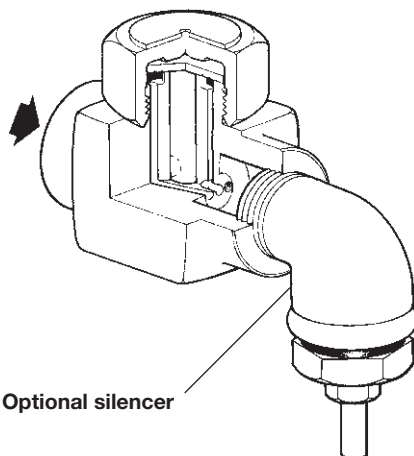
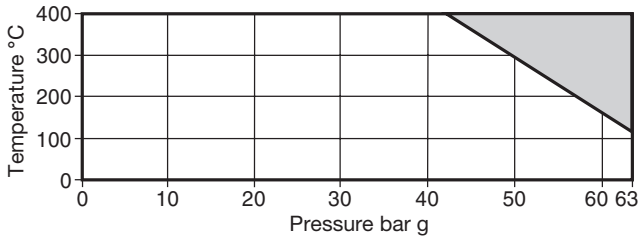



Fig. 2 BRoil air trap complete with optional silencer (British Rail Cat No. 15/07220)

2.4 Pressure/temperature limits



 The product **must not** be used in this region.

Body design conditions	PN63	
PMA	Maximum allowable pressure	63 bar g @ 120°C (913.5 psi g @ 248°F)
TMA	Maximum allowable temperature	400°C @ 42 bar g (752°F @ 609 psi g)
	Minimum allowable temperature	0°C (32°F)
PMO	Maximum operating pressure	63 bar g @ 120°C (913.5 psi g @ 248°F)
TMO	Maximum operating temperature	400°C @ 42 bar g (752°F @ 609 psi g)
	Minimum operating temperature	0°C (32°F)
PMOB	Maximum backpressure should not exceed 80% of the inlet pressure under any conditions of operation otherwise the trap may not shut-off.	
ΔPMN	Minimum operating differential pressure for correct operation:	0.25 bar (3.6 psi)
	Designed for a maximum cold hydraulic test pressure of:	95 bar g (1377.5 psi g)

3. Installation

Note: Before actioning any installation observe the 'Safety information' in Section 1.

Referring to the Installation and Maintenance Instructions, name-plate and Technical Information Sheet, check that the product is suitable for the intended installation:

- 3.1** Check materials, pressure and temperature and their maximum values. If the maximum operating limit of the product is lower than that of the system in which it is being fitted, ensure that a safety device is included in the system to prevent overpressurisation.
- 3.2** Determine the correct installation situation and the direction of fluid flow.
- 3.3** Remove protective covers from all connections and protective film from all name-plates, where appropriate, before installation on steam or other high temperature applications.
- 3.4** Preferably fitted in a horizontal pipe but can be fitted in vertically downwards pipe.

Note: If the trap is to discharge to atmosphere ensure it is to a safe place, the discharging fluid may be at a temperature of 100°C (212°F).

4. Commissioning

After installation or maintenance ensure that the system is fully functioning. Carry out tests on any alarms or protective devices.

5. Operation

One side of the disc (Figure 3) is plain with a single scratch towards the outer edge, whereas the other side of the disc has a machined circular groove.

The trap is supplied with the grooved side of the disc towards the seating faces and is suitable for clean operating conditions.

If the operating conditions are dirty, probably with heavy oil contamination, unscrew the cap, using preferably a ring spanner and turn over the disc so that the plain side with a bleed scratch is towards the seating faces. Replace the cap - no gasket is required but a suitable high temperature anti-sieze grease should be applied to the threads.

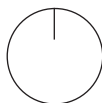
Tighten the cap to the recommended torque (see Section 6). Do not use a wrench of the Stillson type which may distort the cap. In extremely dirty conditions it may be necessary to deepen the bleed scratch or to make additional scratches up to a maximum of 3.

Note

On ultra clean systems, an Airodyn 'S' with fine lap disc is required. The disc will be supplied without a single bleed scratch, but will have a groove machined in one side. The disc will also be supplied with grooved side of the disc on the seat.

In ultra clean environments the disc may operate with a rapid cycling action that may not be acceptable. Turn the disc over so that the fine lapped face is now touching the seat.

Fig. 3



Maximum of three
bleed scratches



The scratch should be over the area covered by and extending beyond the outer seat face.

6. Maintenance

Note: Before actioning any maintenance programme observe the 'Safety information' in Section 1.

6.1 How to service the Airodyn and BRair traps

Unscrew the cap (2) using a spanner. Do not use Stillsons or a wrench of a similar type which may cause distortion to the cap. If the body seating faces are only slightly worn they can be refaced by lapping individually on a flat surface such as a surface plate. A figure of eight motion and a little grinding compound such as a Carborundum Co's compound I.F. gives the best results. If the wear is too great to be rectified by simple lapping, the seating faces on the body must be ground flat and then lapped. The disc (3) should always be replaced with a new one. The total amount of metal removed in this way should not exceed 0.25 mm.

When reassembling, the disc is normally placed in position with the grooved side in contact with the body seating face (see Section 5, Operation). Screw on the cap. No gasket is required but a suitable high temperature anti-seize grease should be applied to the threads.

6.1.1 How to clean or replace the strainer

Using a spanner unscrew the strainer cap (5), withdraw the screen (4) and clean it, or if damaged replace with a new one. To reassemble, insert the screen into the cap, then screw the cap into place. A fine smear of 'Molybdenum Disulphide' grease should be applied to the first few threads. Care should be taken to ensure that the gasket and gasket faces are clean. Tighten the cap to the recommended torque.

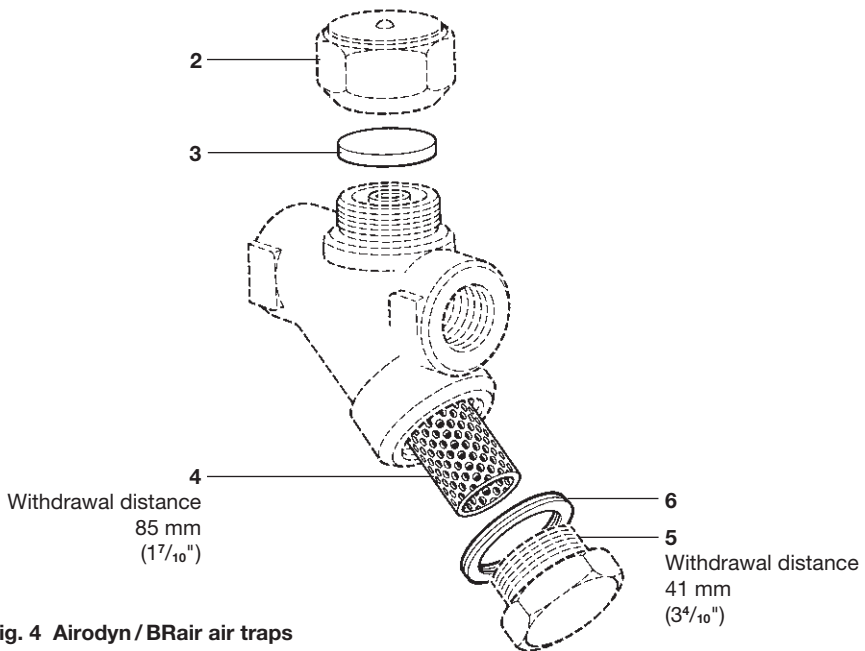




Fig. 4 Airodyn /BRair air traps

Recommended tightening torques

Item No.	Part		or mm		N m	(lbf ft)
2	Cap	36 A/F			135 - 150	(99 - 110)
5	Strainer cap	32 A/F		M28	170 - 190	(125 - 140)

Note: Before actioning any maintenance programme observe the 'Safety information' in Section 1.

6.2 How to service the BRoil air trap

Unscrew the cap (2) and remove the disc (3). Clean all internal ports and surfaces. Only clean groove 'A' with soft lint free cloth, do not use anything metallic. Replace the disc and cap (a fine smear of Molybdenum Disulphide grease should be applied to the threads) and tighten to the recommended torque. On test the unit should operate at a rate 180/220 cycles per minute on a 7 bar g (101.5 psi g) air system.

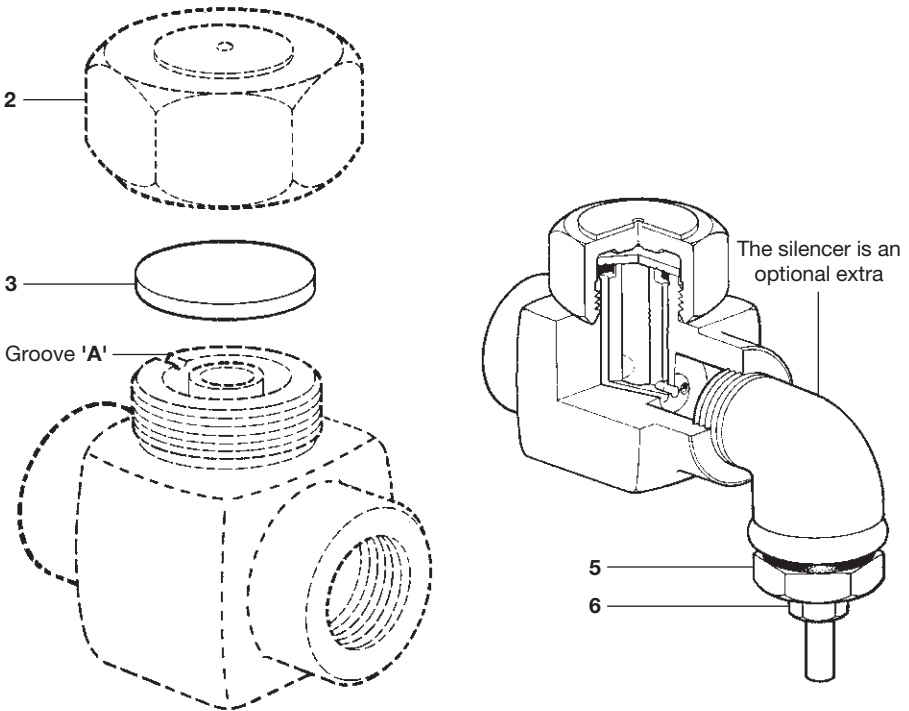



Fig. 5 BRoil air trap

Recommended tightening torques

Item No.	Part		N m	(lbf ft)
2	Cap	36 A/F	135 - 150	(99 - 110)
5		24 A/F	30 - 40	(22 - 29)
6		11 A/F	5 - 8	(4 - 6)

7. Spare parts

The spare parts available are shown in solid outline. Parts drawn in broken line are not supplied as spares.

Available spares

	Standard disc (packet of 3)	3
	Fine lap disc (Airodyn 'S') (packet of 3)	3
Airodyn and BRair	Strainer screen and gasket	4, 6
	Strainer cap gasket (packet of 3)	6
BRoil	Disc (packet of 3)	3

How to order spares

Always order spares by using the description given in the column headed 'Available spares' and state the size and type of trap.

Example 1: 1 - Strainer screen for a ½" Spirax Sarco Airodyn compressed air drain trap.

Example 2: 1 - Packet of 3 discs for a ½" Spirax Sarco BRoil air trap screwed BSP.

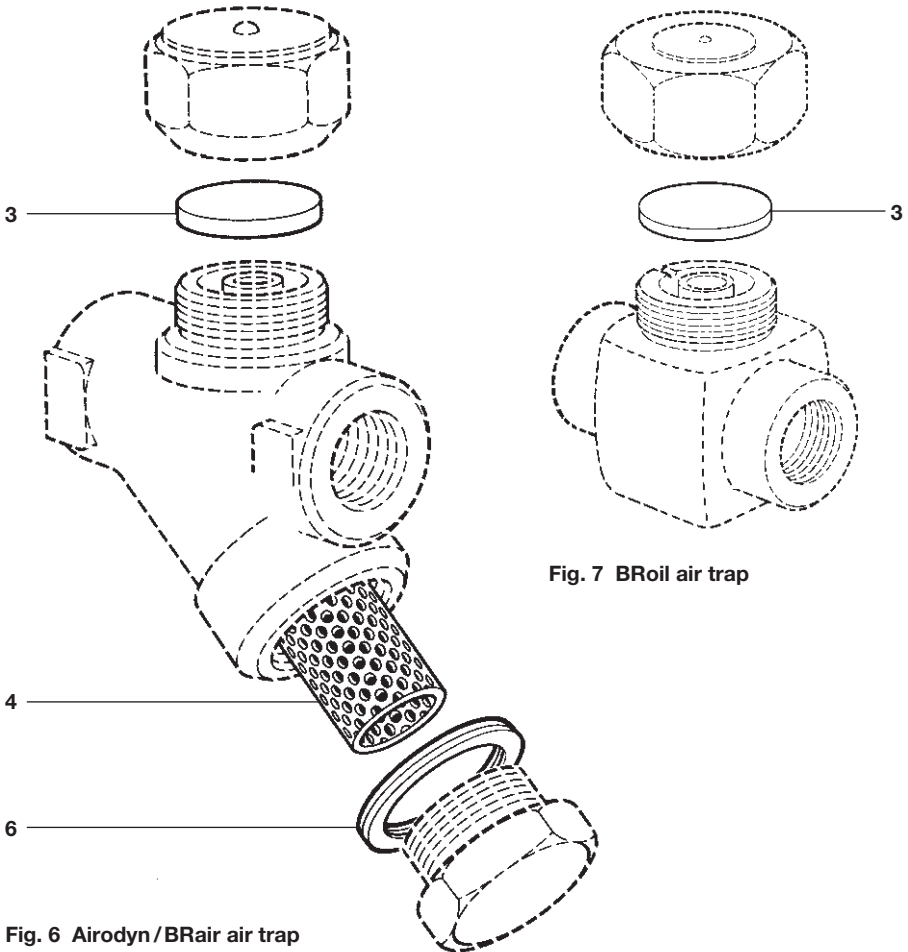


Fig. 7 BRoil air trap

Fig. 6 Airodyn/BRair air trap

