



Cert. No. LRQ 0963008

ISO 9001

# spirax sarco

## CA44S

TI-P148-23  
ST Issue 3

## Carbon Steel Air and Gas Trap 1" Screwed

### Description

The CA44S is a carbon steel ball float air and gas trap with a stainless steel valve cone and has horizontal screwed or socket weld connections. The cover will be drilled and tapped 1/2" BSP or NPT (socket weld also available) for the purpose of fitting a balance line. Body and cover castings are produced by a TÜV approved foundry.

### Standards

This product fully complies with the requirements of the European Pressure Directive 97/33/EC and carries the CE mark when so required.

### Certification

The product is available with certification to EN 10204 2.2 for body and cover as standard and EN 10204 3.1.B if specified at the time of order placement.

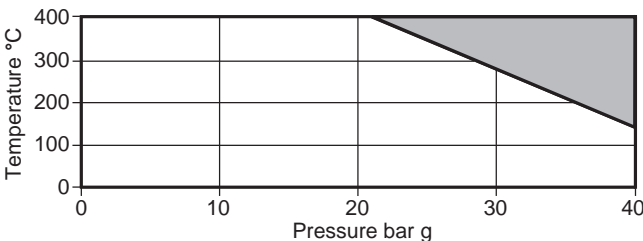
### Sizes and pipe connection

1" Screwed BSP or NPT with BSP or NPT balance line.  
1" Socket weld BS 3799 class 3000 with NPT or socket weld balance line.

### Limiting conditions

Body design conditions	PN40
PMA - Maximum allowable pressure	40 bar g
TMA - Maximum allowable temperature	400°C
Designed for a maximum cold hydraulic test pressure of 60 bar g	

### Operating range

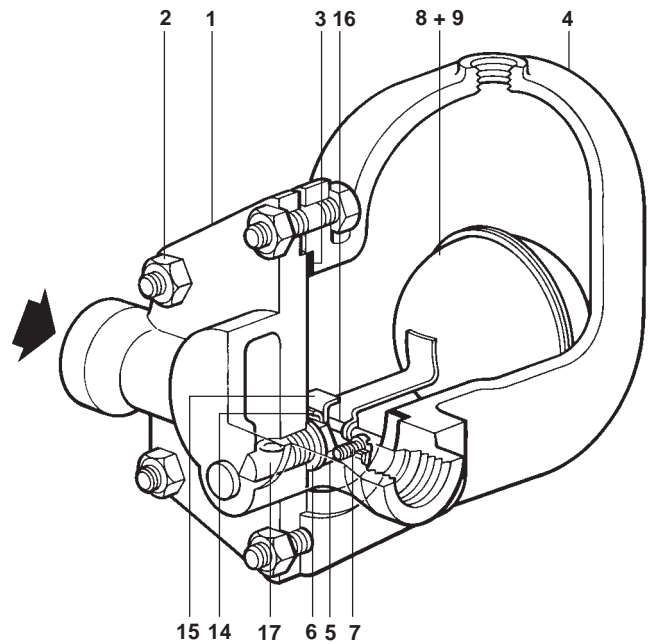


This product **must not** be used in this region.

### Δ PMX - Maximum differential pressure

Depending on the specific gravity of the liquid being drained

Trap	Specific gravity				
	1.0	0.9	0.8	0.7	0.6
	Maximum differential pressure bar				
CA44S-4.5	4.5	4.5	4.5	3.4	2.0
CA44S-10	10.0	9.5	6.8	5.5	3.4
CA44S-14	14.0	14.0	11.0	8.0	5.0
CA44S-21	21.0	19.0	15.0	10.0	6.5
CA44S-32	32.0	30.0	23.0	16.5	10.0



### Materials

No.	Part	Material
1	Body	Carbon steel DIN 17245 GS-C25N
2	Cover studs	Steel DN 17240 21 Cr Mo V57
	Cover nuts	Steel DN 17240 24 Cr Mo5
3	Cover gasket	Reinforced exfoliated graphite
4	Cover	Carbon steel DIN 17245 GS-C25N
5	Valve seat	Stainless steel BS 970 431 S29
6	Valve seat gasket	Stainless steel BS 1449 304 S11
7	Pivot frame assembly set screws	Stainless steel BS 4183 18/8
8	Ball float and lever	Stainless steel BS 1449 304 S16
9	Valve cone CA44S*	Stainless steel
14	Support frame	Stainless steel BS 1449 304 S16
15	Pivot frame	Stainless steel BS 1449 304 S16
16	Pivot	Stainless steel
17	Erosion deflector	Stainless steel BS 970 431 S29

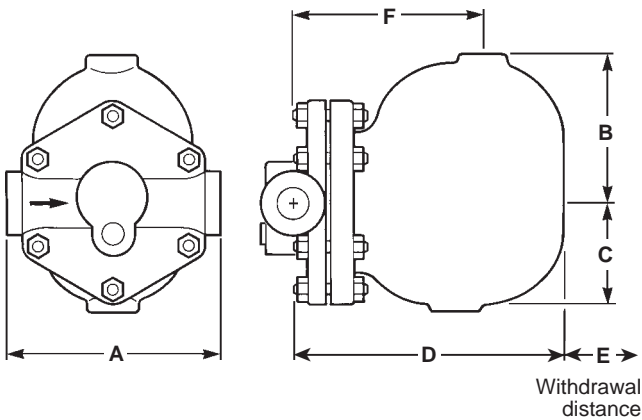
\*Note: The valve cone in the CA44S is permanently attached to the ball float and lever.

## Capacities

For details on capacities refer to TI-P148-18.

## Dimensions/weight (approximate) in mm and kg

A	B	C	D	E	F	Weight
165	115	85	208	170	146	12.5



## Safety information, installation and maintenance

For full details see the Installation and Maintenance Instructions (IM-P148-37) supplied with the product.

### Installation note:

The trap should be fitted in the horizontal plane below what it is draining with the direction of flow as indicated on the body so that the float mechanism is free to rise and fall in a vertical plane.

Advice on welding of socket weld variants is provided with the installation and maintenance instructions.

One of the advantages of the float trap for draining air and gas systems is that no bleed is required for satisfactory operation. However, because the trap has no bleed a separate balance line is needed to prevent it becoming air or gas locked.

Make sure that the balance line is piped back to the upstream side. **A balance line is essential for the correct operation of this product.**

For convenience of maintenance it is recommended that a union is fitted in the balance line near to the trap cover.

### How to order

**Example:** 1 off Spirax Sarco 1" socket weld CA44S-32 air and gas trap with carbon steel body and cover.

## Spare parts

The spare parts available are shown in solid outline. Parts drawn in broken line are not supplied as spares.

### Available spares

* Main valve assembly with float	<b>5, 6, 7, 8 + 9, 14, 15, 16</b>
Complete set of gaskets (packet of 3 sets)	<b>3, 6</b>



\* **Note:** The erosion deflector is pressed into the body during manufacture and not available as a spare.

### How to order spares

Always order spares by using the description given in the column headed 'Available spares' and state the size and type of trap.

**Example:** 1 - Main valve assembly for a Spirax Sarco DN25 CA44S-32 air and gas trap.

### Recommended tightening torques

Item	 or mm		N m
2	17	M10 x 60	19 - 21
5	17	M12	50 - 55
7	Cheesehead	M5 x 20	2.5 - 2.8

