



Cert. No. LRQ 0963008

ISO 9001

Airodyn Compressed Air Drain Trap

Description

The Airodyn is a thermodynamic type compressed air drain trap. The external body surfaces are electroless nickel plated (ENP) which is oxidation resistant.

Optionally

An **Airodyn S** can be supplied which has a fine lap disc (item 3) for ultra clean applications.

Standards

This product fully complies with the requirements of the European Pressure Equipment Directive 97/23/EC.

Certification

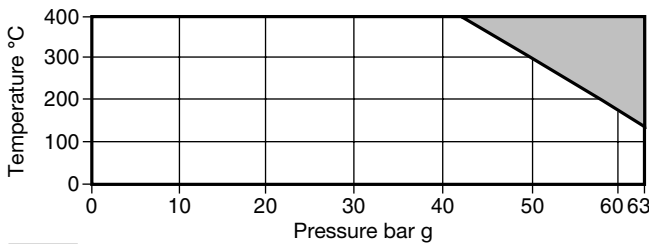
This product is available with certification to EN 10204 3.1. **Note:** All certification/inspection requirements must be stated at the time of order placement.

Sizes and pipe connections

1/2" screwed BSP or NPT.

3/4" screwed (NPT) only.

Pressure/temperature limits



The product **must not** be used in this region.

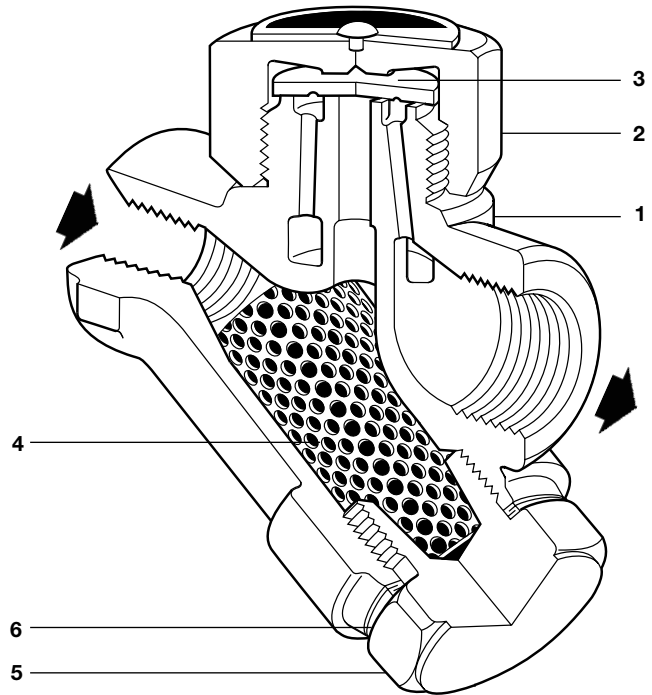
Body design conditions		PN63
PMA	Maximum allowable pressure	63 bar g @ 120°C
TMA	Maximum allowable temperature	400°C @ 42 bar g
Minimum allowable temperature		0°C
PMO	Maximum operating pressure	63 bar g @ 120°C
TMO	Maximum operating temperature	400°C @ 42 bar g
Minimum operating temperature		0°C
PMOB Maximum backpressure should not exceed 80% of the inlet pressure under any conditions of operation otherwise the trap may not shut-off.		
Minimum operating differential pressure for satisfactory operation		0.25 bar
Designed for a maximum cold hydraulic test pressure of		95 bar g

Material

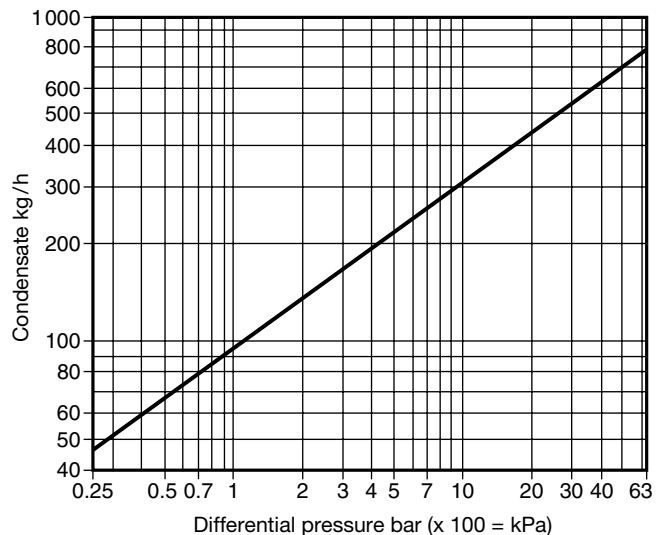
No.	Part	Material
1	Body	Stainless steel ASTM A743 Gr. CA40F
2	Cap	Stainless steel AISI 416
3	Disc	Stainless steel BS 1449 420 S45
4	Strainer screen	Stainless steel BS 1449 304 S16
5	Strainer cap	Stainless steel AISI 416
6	Strainer cap gasket	Stainless steel BS 1449 304 S16

K_v values

Size	1/2"	3/4"
K _v	3.09	3.09
For conversion: C _v (UK) = K _v x 0.963 C _v (US) = K _v x 1.156		



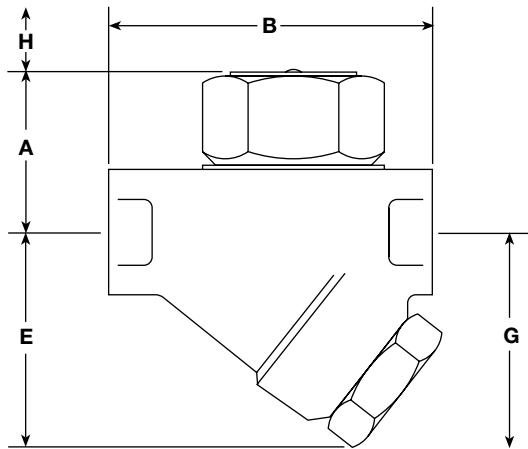
Capacities



Dimensions / weights (approximate) in mm and kg

Size	A	B	E	G	H	Weight
1/2"	41	78	55	85	20	0.77
3/4"	44	85	60	100	20	0.95

Withdrawal distance for cap



Withdrawal distance for strainer

Safety information, installation and maintenance

For full details see the Installation and Maintenance Instructions (IM-S48-06) supplied with the product.

Installation note:

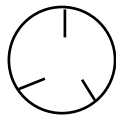
Preferably fitted in a horizontal pipe but can be fitted in vertically downwards pipe.

Operation

One side of the disc (3) is plain with a single scratch towards the outer edge, whereas the other side of the disc has a machined circular groove.

The Airodyn is supplied with the grooved side of the disc towards the seating faces and is suitable for clean operating conditions. If the operation conditions are dirty, probably with heavy oil contamination, unscrew the cap, using preferably a ring spanner and turn over the disc so that the plain side with a bleed scratch is towards the seating faces. Replace cap - no gasket is required but a suitable high temperature anti-sieze grease should be applied to the threads.

Tighten the cap to the recommended torque. Do not use a wrench of the Stillson type which may distort the cap. In extremely dirty conditions it may be necessary to deepen the bleed scratch or to make additional scratches up to a maximum of 3 thus.



The scratch should be over the area covered by and extending beyond the outer seat face.

Disposal

The product is recyclable. No ecological hazard is anticipated with disposal of this product providing due care is taken.

How to order

Example: 1 off Spirax Sarco 1/2" screwed BSP Airodyn compressed air drain trap.

Spare parts

The spare parts available are shown in solid outline. Parts drawn in broken line are not supplied as spares.

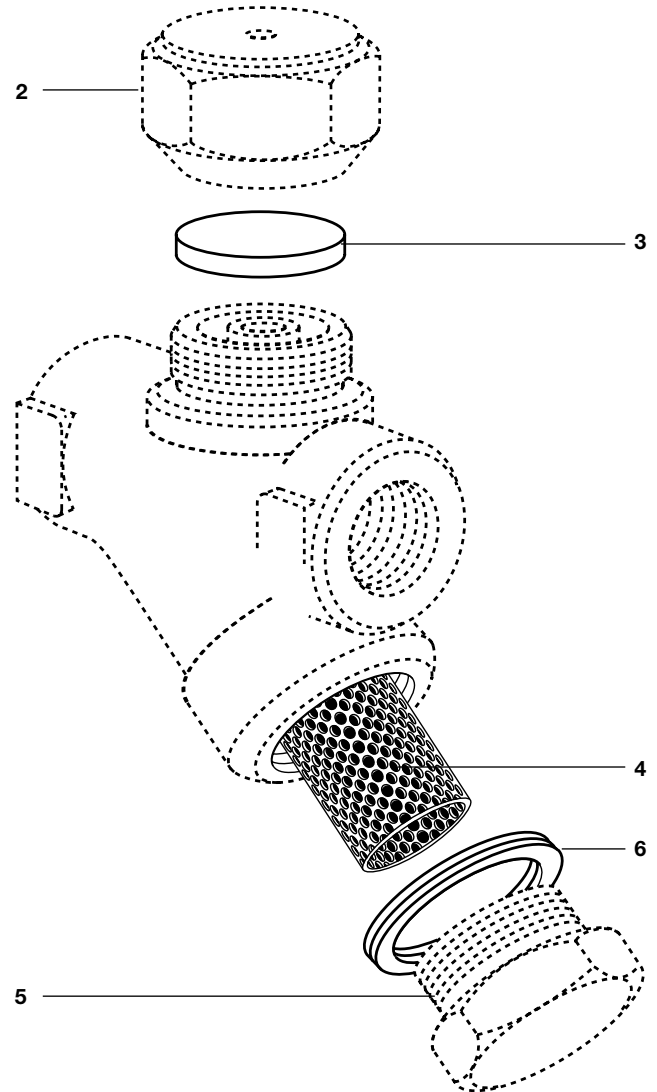
Available spares

Disc (packet of 3)	3
Strainer screen and gasket	4, 6
Strainer cap gasket (packet of 3)	6



How to order spares

Always order spares by using the description given in the column headed 'Available spares' and state the size and type of trap.

Example: 1 - Strainer screen for a Spirax Sarco 1/2" Airodyn compressed air drain trap.



Recommended tightening torques

Item	 or  mm	N m
2	36 A/F	150
5	32 A/F M28	170 - 190