



Cert. No. LRQ 0963008

ISO 9001

spirax sarco

TI-P374-01
 CH Issue 2

SPIRA-TROL DN15 to DN100

KE, KF and KL Two-port Control Valves

Description

SPIRA-TROL is a range of two-port single seat globe valves with cage retained seats conforming to EN standard. These valves are available in three body materials in sizes ranging from DN15 to DN100. When used in conjunction with a pneumatic or electric linear actuator they provide modulating control or on/off service.

SPIRA-TROL valve characteristic - options:

KE	Equal percentage (E) - Suitable for most modulating process control applications providing good control at all flowrates.
KF	Fast opening (F) - For on/off applications only.
KL	Linear (L) - Primarily for liquid flow control where the differential pressures across the valve is constant.

Important note: Throughout this document, reference has been made to the standard KE control valve. With the exception of trim type, the KE, KF and KL control valves are identical.

SPIRA-TROL valve options:

Stem sealing	PTFE chevron seals	Standard
	Bellows / PTFE (B)	Suitable for thermal fluids
	Bellows / graphite (C)	Suitable for thermal fluids
	Bellows / graphite secondary seals (D)	Zero emissions and high temperature applications
Seating	Graphite packing	High temperature applications
	Metal-to-metal	431 stainless steel - standard 316L stainless steel
	Soft seating	Up to 200°C - PTFE for Class VI shut-off Up to 250°C - PTFE for Class VI shut-off
	Hard facing	316L stainless steel with Stellite 6 facing - for more arduous applications
Bonnet type	Standard bonnet Extended bonnet for large pipe lagging or hot / cold applications	
Trim	Standard trim Low noise cage	

SPIRA-TROL two-port control valves are compatible with the following actuators and positioners:

Electric	EL3500, EL5600 and EL7200 series
Pneumatic	PN1000 and PN9000 series
	PP5 (pneumatic) or EP5 (electropneumatic)
Positioners	ISP5 (intrinsically safe electropneumatic)
	SP200is, SP400, and SP500 (microprocessor based electropneumatic)
	SP300 (digital communications)

Refer to the relevant Technical Information sheet for further details.

Sizes and pipe connections

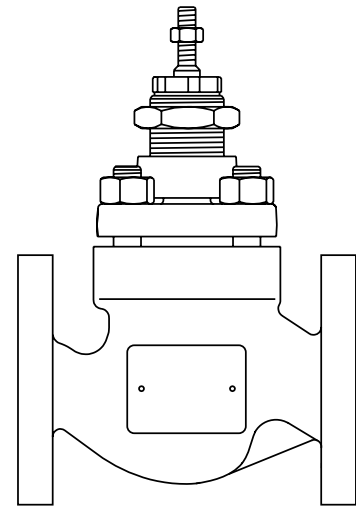
Type	Body material	Connections	Size range
KE43	Cast steel	Flanged PN25, PN40, JIS 20 and KS 20	DN15, DN20, DN25, DN32, DN40, DN50, DN65, DN80 and DN100
KE61	Stainless steel	Screwed BSP	DN15, DN20, DN25, DN32, DN40 and DN50
KE63	Stainless steel	Flanged PN25, PN40, JIS 20 and KS 20	DN15, DN20, DN25, DN32, DN40, DN50, DN65, DN80 and DN100
KE71	SG iron	Screwed BSP	DN15, DN20, DN25, DN32, DN40 and DN50
KE73	SG iron	Flanged PN16, PN25, JIS 10 and KS 10	DN15, DN20, DN25, DN32, DN40, DN50, DN65, DN80 and DN100

Note: The PN16 flanges for the DN65 KE73 sizes have 4 bolt holes as standard; 8 bolt holes are available on request.

Local regulations may restrict the use of this product to below the conditions quoted.

In the interests of development and improvement of the product, we reserve the right to change the specification without notice.

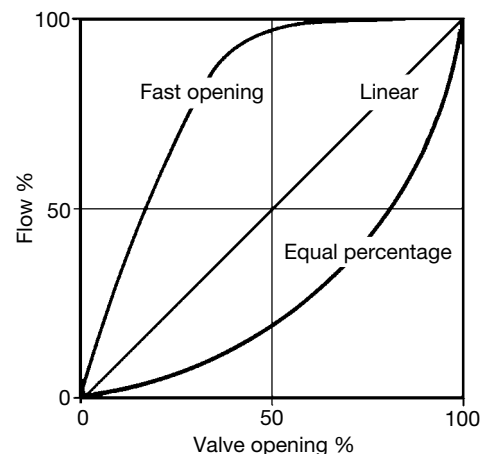
© Copyright 2010



Technical data

Plug design	Parabolic	
Leakage	Metal-to-metal	Class IV
	Soft seal	Class VI
Rangeability	50:1	
Travel	DN15 to DN50	20 mm
	DN65 to DN100	30 mm

Typical flow characteristic curves



Materials

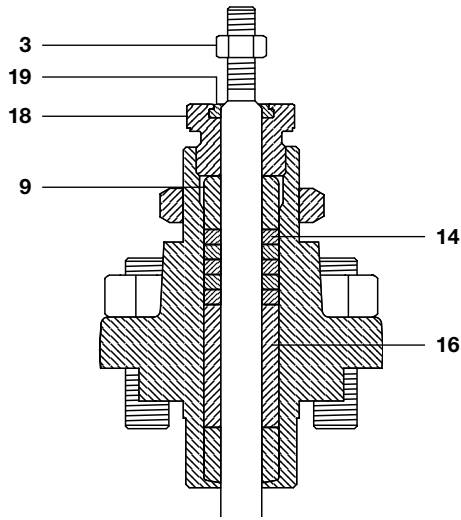
Type	No.	Part	Material	
KE43	1	Body	Cast steel BS EN 10213 GP240GH+N (1.0619N)	
	2	Bonnet	DN15 to DN50	Forged steel EN 10222-2 P305GH 1.0436
			DN65 to DN100	Cast steel BS EN 10213 GP240GH+N (1.0619N)
	2a	Bonnet extension	Cast steel BS EN 10213 GP240GH+N (1.0619N)	
	2b	Bellows	Stainless steel	
3	Stem lock-nut	Stainless steel		
KE61 KE63	1	Body	Stainless steel DIN GX5 CrNiMO 19-11-2 1.4408	
	2	Bonnet	Stainless steel DIN GX5 CrNiMO 19-11-2 1.4408	
	2a	Bonnet extension	Stainless steel DIN GX5 CrNiMO 19-11-2 1.4408	
	2b	Bellows	Stainless steel	
	3	Stem lock-nut	Stainless steel	
KE71 KE73	1	Body	SG iron EN-GJS-400-18u-LT	
	2	Bonnet	SG iron EN-GJS-400-18u-LT	
	2a	Bonnet extension	Cast steel BS EN 10213 GP240GH+N (1.0619N)	
	2b	Bellows	Stainless steel	
	3	Stem lock-nut	Stainless steel	
All versions using PTFE seals	2c	Extended bonnet	Stainless steel AISI 316L	
	4	Bonnet gasket	Reinforced exfoliated graphite	
	5	Seat retainer	Stainless steel 316L	
	6	Valve seat ring	Stainless steel	
	7	Seat gasket	Reinforced exfoliated graphite	
	8	Valve plug and stem	Stainless steel	
	9 *	Lower stem guide	Glass filled PTFE	
	10	Lower stem wiper	PTFE	
	11*	Packing guard washer	Stainless steel 316L	
	12*	Spring	Stainless steel	
	13	Packing spacer	Stainless steel 316L	
	14*	Chevron packing set	PTFE	
	15*	Outer 'O' ring	Viton B	
	16*	Upper stem guide	Glass filled PTFE	
	17*	Inner 'O' ring	Viton	
	18	Gland nut	Stainless steel	
	19	Scraper ring	PTFE	
	20	Actuator clamp nut	Plated carbon steel	
	21	Bellows assembly	Stainless steel AISI 316Ti + 316L	
	22	Bonnet extension gasket	Reinforced exfoliated graphite	
	23	Top plate (used on bonnet extension only)	Stainless steel 316L	
	24	Lower spindle bearing housing	Stainless steel 316L	
	25	Lower spindle bearing	Stellite 6 or stainless steel for KE - 43171/73	
	26	Spindle lock and anti-rotation nut	Stainless steel 316L	
	27	Standard bonnet nuts	KE4_ and KE7_	Steel BS 3692 Gr. 8
			KE6_	Stainless steel DIN ISO 3506 A2 - 70
High temperature bonnet nuts		KE4_ and KE7_	Stainless steel DIN ISO 3506 A2 - 70	
		KE6_	Stainless steel DIN ISO 3506 A2 - 70	
28	Standard bonnet studs	KE4_ and KE7_	Steel BS 3692 Gr. 8.8	
		KE6_	Stainless steel DIN ISO 3506 A2 - 70	
	High temperature bonnet studs	KE4_ and KE7_	Steel DIN ISO 3506 A2 - 70	
		KE6_	Steel DIN ISO 3506 A2 - 70	

Not Shown

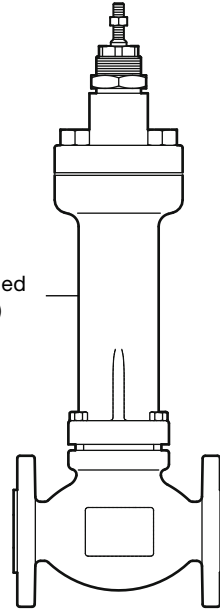
*** Graphite packing**

High temperature packing	9	Upper and lower stem guide	Stellite 6
	16		
	14		
	11	Grafoil packing	Graphite rings
	12		
	15	Not used	
	17		
	19		

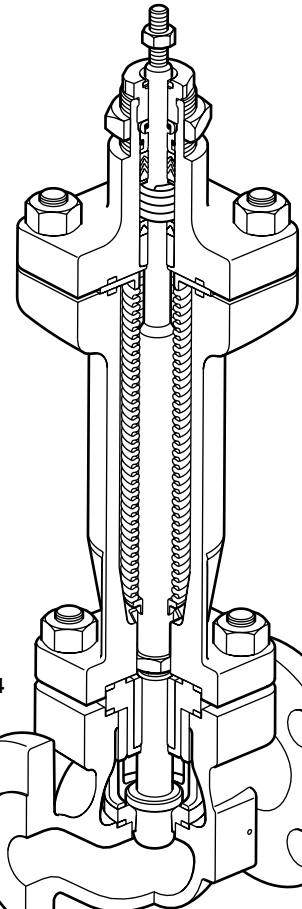
KE valve with graphite packing



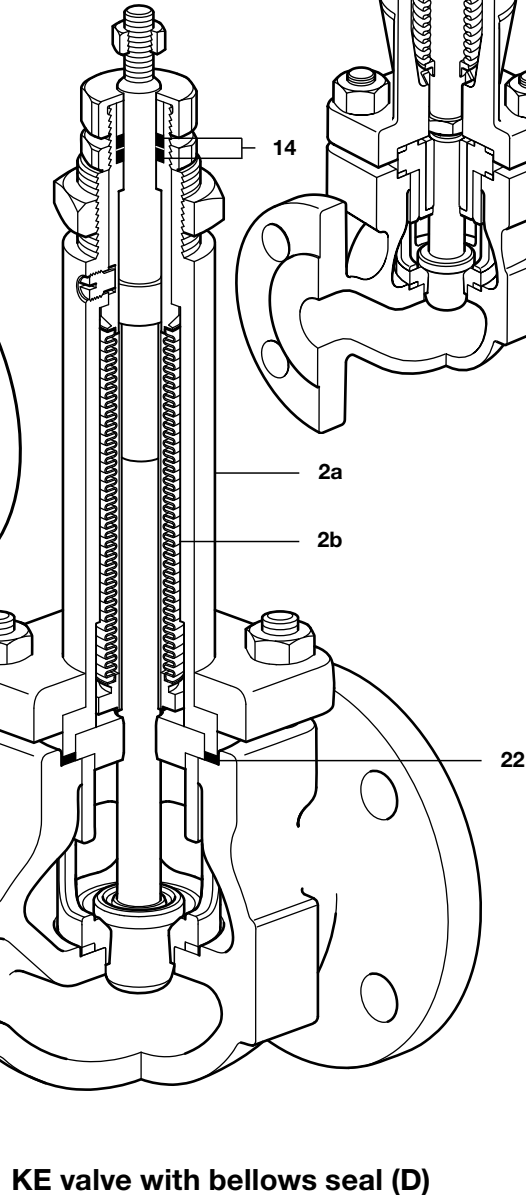
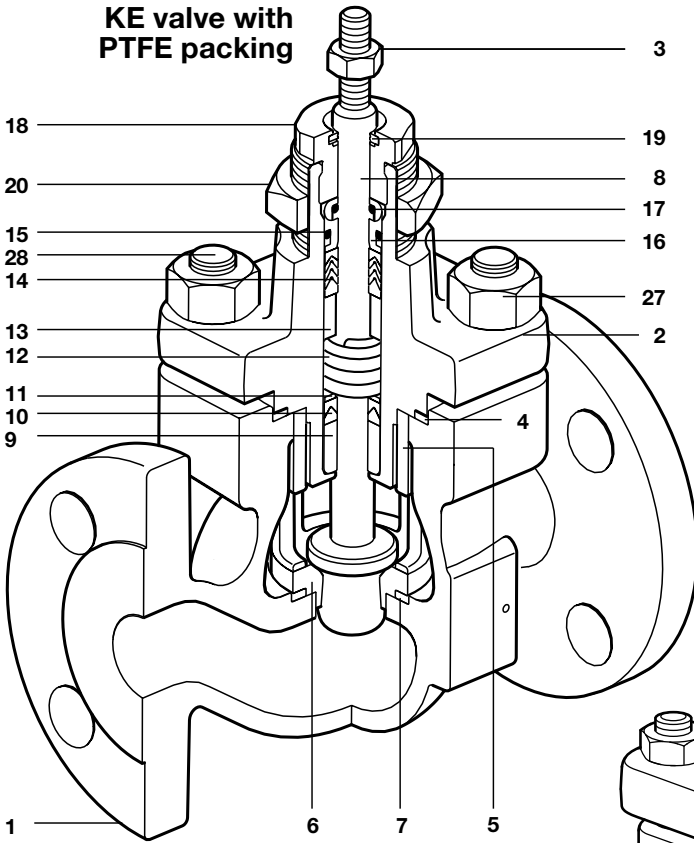
KE valve with extended bonnet (E)



DN15 - DN100 KE with bellows seal (B) and (C)


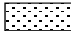



KE valve with PTFE packing



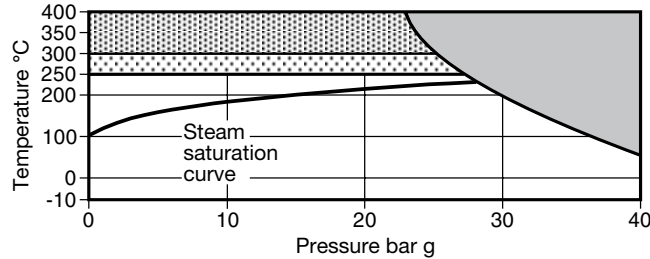
KE valve with bellows seal (D)

Pressure/temperature limits - Valve body

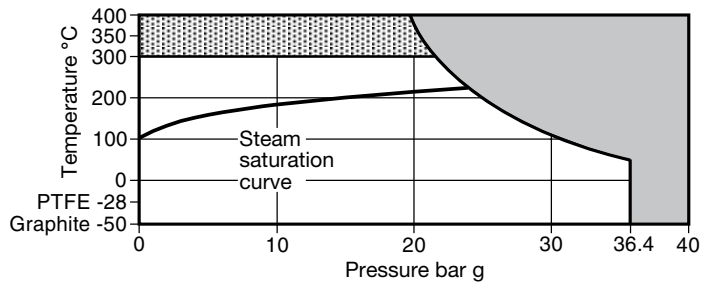
-  The product **must not** be used in this region.
-  High temperature packing is required for use in this region.
-  High temperature bolting and packing is required for use in this region.

- Notes:**
- Where the process fluid temperature is sub-zero and the ambient temperature is below +5°C, the external moving parts of the valve and actuator must be heat traced to maintain normal operation.
 - When selecting a valve with a bellows sealed bonnet, the pressure/temperature limits of the bellows must be read in conjunction with the valve pressure/temperature limits shown below.

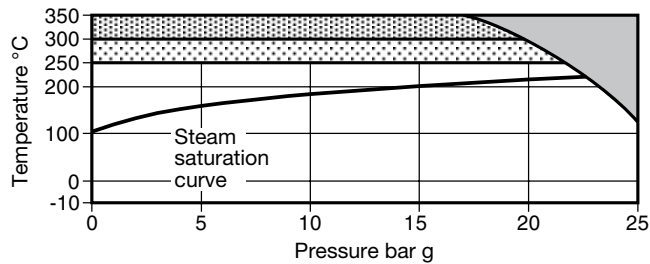
KE43
(Cast steel)



KE61
KE63
(Stainless steel)



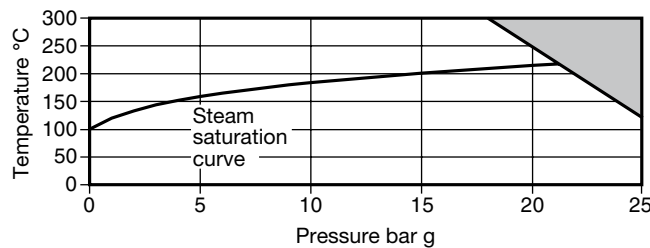
KE71
KE73
(SG iron)



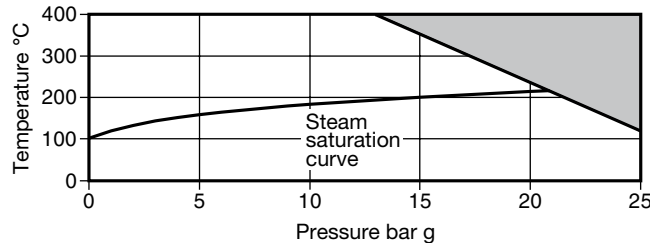
Pressure/temperature limits - Bellows

Note: When selecting a valve with a bellows sealed bonnet, the pressure/temperature limits of the bellows must be read in conjunction with the valve pressure/temperature limits shown above.

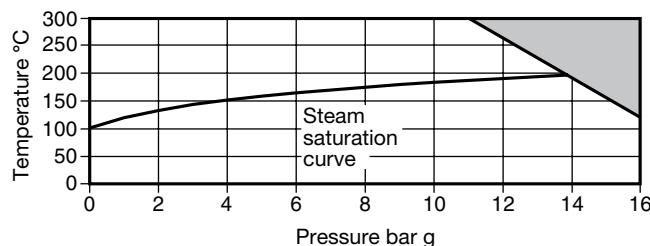
Bellows B



Bellows C



Bellows D



Pressure/temperature limits

Body design conditions	KE4_	PN40
	KE6_	PN40
	KE7_	PN25
Maximum design pressure	KE4_	40 bar g @ 50°C
	KE6_	36.4 bar g @ 50°C
	KE7_	25 bar g @ 120°C
Maximum design temperature	KE4_	400°C
	KE6_	400°C
	KE7_	350°C
Minimum design temperature	KE4	-10°C
	KE6_	-50°C
	KE7_	-10°C
Maximum operating temperature	Standard packing PTFE chevron	250°C
	PTFE soft seat (G)	200°C
	PEEK soft seat (K)	250°C
	High temperature packing (H)	400°C
	Extended bonnet (E) with PTFE chevron	250°C
	Extended bonnet (E) with graphite packing	400°C
	Bellows (See bellows pressure/temperature rating on page 4)	400°C
Minimum operating temperature	KE4	-10°C
	KE6_	PTFE packing -28°C Graphite packing -50°C
	KE7_	-10°C
Maximum differential pressures:	See relevant actuator Technical Information sheet	
Maximum cold hydraulic test pressure of:	KE4_	60 bar g
Warning: If the valve is fitted with a bellows it must be removed if hydraulic testing is to be done.	KE6_	60 bar g
	KE7_	38 bar g

Kvs values

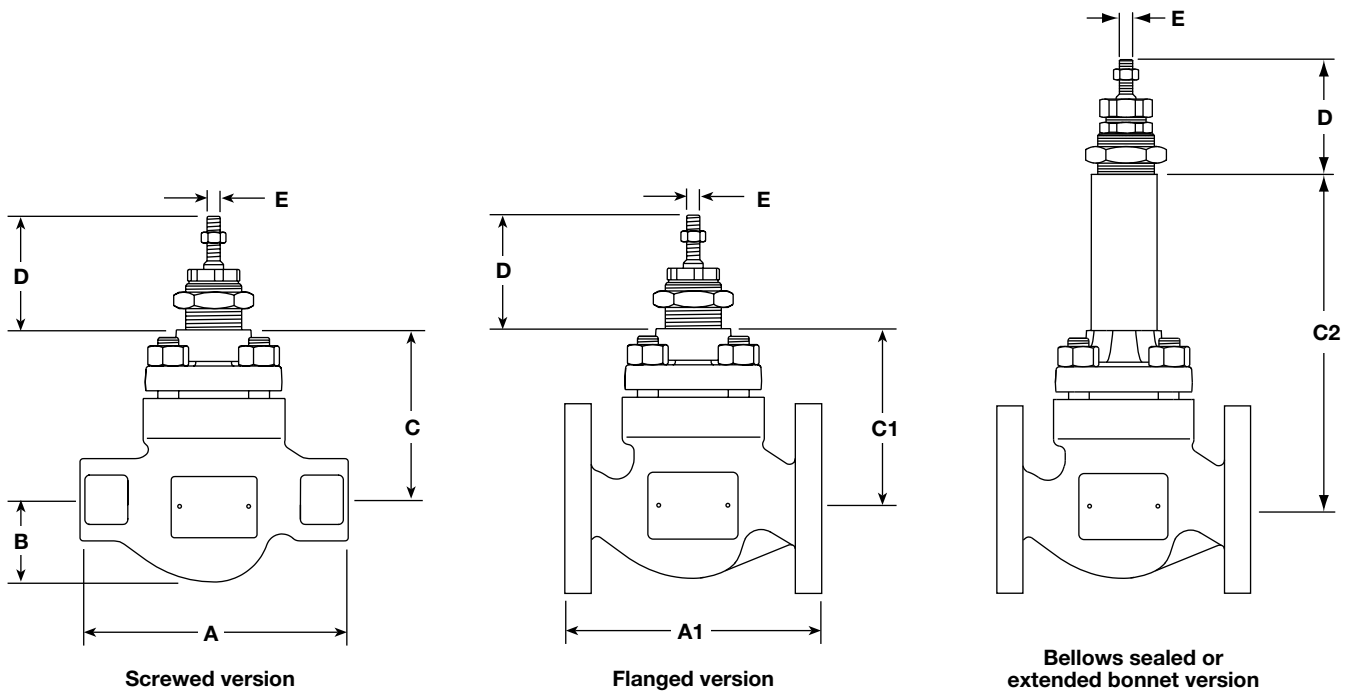
Size	Nominal size										
	DN15	DN20	DN25	DN32	DN40	DN50	DN65	DN80	DN100		
Travel	20 mm					30 mm					
Standard trims	Full port	Equal %	4	6.3	10	16	25	36	63	100	160
		Linear	4	6.3	10	16	25	36	63	100	160
		Fast opening	4	6.3	10	18	28	50	85	117	180
	Reduced trim 1	Equal %	2.5	4	6.3	10	16	25	36	63	100
		Linear	2.5	4	6.3	10	16	25	36	63	100
	Reduced trim 2	Equal %	1.6	2.5	4	6.3	10	16	25	36	63
		Linear	1.6	2.5	4	6.3	10	16	25	36	63
	Reduced trim 3	Equal %	1.0	1.6	2.5	4	6.3	10	16	25	36
		Linear	1.0	1.6	2.5	4	6.3	10	16	25	36
	Reduced trim 4	Equal %	-	1.0	1.6	-	-	-	-	-	-
		Linear	-	1.0	1.6	-	-	-	-	-	-
	Reduced trim 5	Equal %	-	-	1.0	-	-	-	-	-	-
		Linear	-	-	1.0	-	-	-	-	-	-
	Micro flute		-	0.5	0.5	-	-	-	-	-	-
		0.2	0.2	0.2	-	-	-	-	-	-	
		0.1	0.1	0.1	-	-	-	-	-	-	

Travel		20 mm					30 mm				
Low noise trim	Full port	4	6	8	17	20	27	55	63	90	
	Reduced trim 1	Linear	3.5	5	6	12	13	15	35	40	60
	Reduced trim 2	Linear	3	4	4.5	7	7	7	30	33	40

Dimensions for the SPIRA-TROL (approximate) in mm

Valve size	A	A1	B	C	C1	C2		D	E
	Screwed BSP	Flanged* PN16, PN25 and PN40 JIS 10 KS 10	Screwed BSP	Screwed BSP	Flanged PN25 and PN40 JIS 20 KS 20	Extended bonnet	Bellows sealed bonnet		Thread
DN15	130	130	40	103	103	237	237	69	M8
DN20	155	150	45	103	103	237	237	69	
DN25	160	160	50	103	103	237	237	69	
DN32	185	180	60	132	132	267	267	69	
DN40	205	200	65	132	132	267	267	69	
DN50	230	230	80	127	127	267	267	69	M12
DN65	-	290	-	-	201	359	368	81	
DN80	-	310	-	-	201	359	368	81	
DN100	-	350	-	-	216	375	381	81	

Note: The PN16 flanges for the DN65 KE73 sizes have 4 bolt holes as standard; 8 bolt holes are available on request.

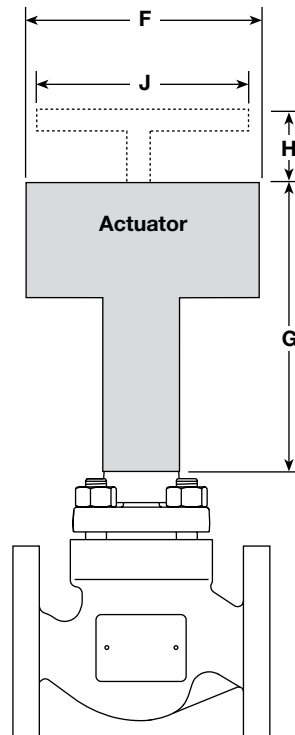


Weights for the SPIRA-TROL (approximate) in kg

Valve size	KE43	KE61	KE63	KE71	KE73	Additional bellows and extended bonnet
DN15	6.0	4.5	5.5	4.5	5.5	4.5
DN20	6.8	5.5	6.8	5.5	6.8	4.5
DN25	7.0	6.0	7.0	6.0	7.0	4.5
DN32	13.5	11.5	13.5	11.5	13.5	5.5
DN40	14.0	12.0	14.0	12.0	14.0	5.5
DN50	17.0	13.0	17.0	13.0	17.0	5.5
DN65	35.0	-	35.0	-	35.0	10.0
DN80	40.0	-	40.0	-	40.0	10.0
DN100	54.0	-	54.0	-	54.0	13.0

Dimensions / weights for the PN actuator range (approximate) in mm and kg

Actuator range	F	G	H	J	Weight	
					Actuator	With handwheel
PN1500 and PN2500	405	1 114	-	-	55	-
PN1600 and PN2600	465	1 116	-	-	70	-
PN9100E and variants	275	170	55	225	6	+ 5.86
PN9100R and variants	275	170	140	225	6	+ 2.50
PN9200E and variants	300	300	55	225	17	+ 7.20
PN9200R and variants	300	300	140	225	17	+ 3.77
PN9320E and variants	325	390	65	350	27	+ 7.20
PN9320R and variants	325	390	150	350	27	+ 3.77
PN9330E and variants	335	390	65	350	27	+ 7.20
PN9330R and variants	335	390	150	350	27	+ 3.77

**Dimensions / weights for the EL actuator range (approximate) in mm and kg**

Actuator range	F	G	Weight
EL3500	135 x 161	242	1.3
EL3500 SE	135 x 161	284	2.4
EL3500 SR	135 x 161	284	2.4
EL560_	177	460	4.5
EL561_	177	460	4.8
EL562_	177	460	5.2
EL563_	177	506	7.0
EL564_	225	569	10.0
EL565_	227	807	20.0
EL506_	162	445	8.7
EL7200 series	100	471	3.0

Spare parts

SPIRA-TROL

The spare parts available are shown in solid outline. Parts drawn in broken line are not supplied as spares.

Note: When placing an order for spare parts please specify clearly the full product description as found on the label of the valve body, as this will ensure that the correct spare parts are supplied.

Available spares - KE, KF and KL

Actuator clamping nut	A
Gasket set (Non-bellows sealed)	B, G
Stem seal kits	PTFE chevrons C
	PTFE to Graphite conversion kit C1
	Graphite packing C2
* Equal percentage trim (No gaskets supplied)	D, E
Plug stem and seat kit	Fast opening trim (No gaskets supplied) D1, E
	Linear trim (No gaskets supplied) D2, E
PTFE or PEEK Soft seat seal	H

* Specify if reduced trim.

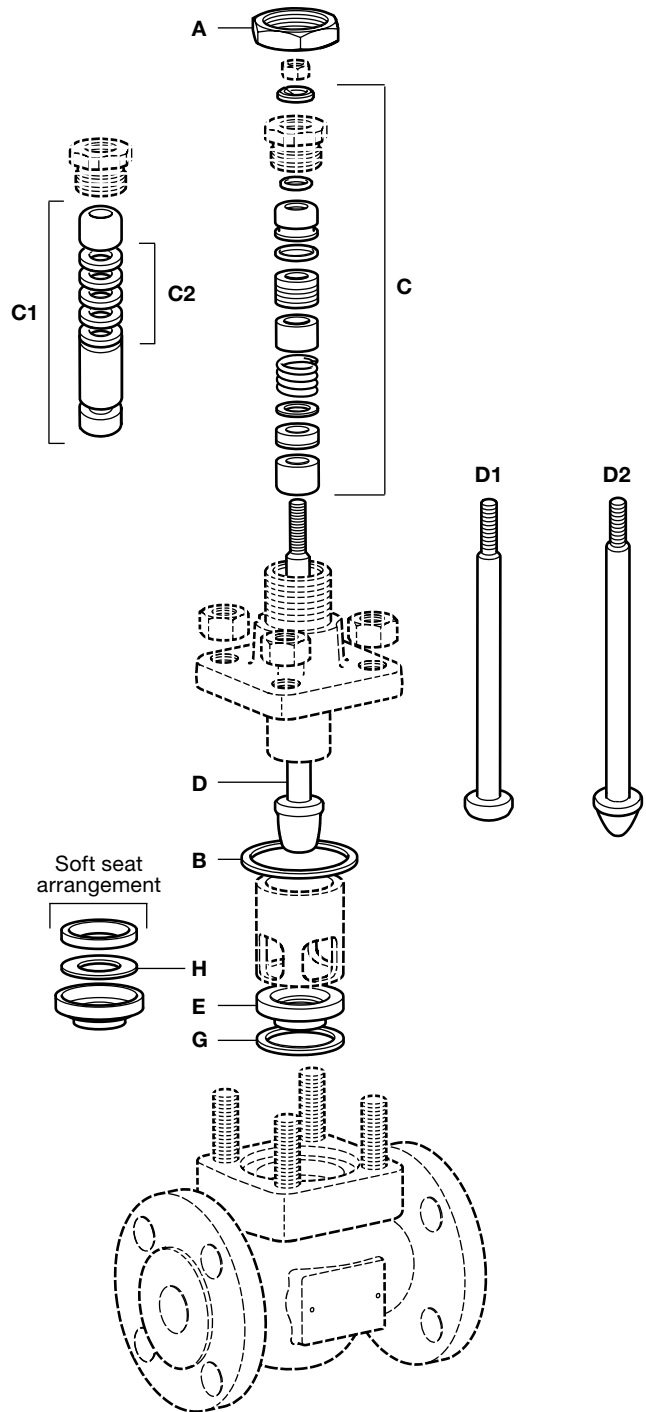
How to order spares

Always order spares by using the description given in the column headed 'Available spares', and state the size and type of valve including the full product description of the product.

Example: 1 - PTFE stem seal kit for a Spirax Sarco DN25 SPIRA-TROL two-port KE43 PTSUSS.2 K_{VS} 10 control valve.

How to fit spares

Full fitting instructions are given in the Installation and Maintenance Instructions supplied with the spare.



Spare parts

SPIRA-TROL with bellows seal (Type B and C) DN15 to DN100

The spare parts available are shown in solid outline. Parts drawn in broken line are not supplied as spares.

Note: When placing an order for spare parts please specify clearly the full product description as found on the label of the valve body, as this will ensure that the correct spare parts are supplied.

Available spares - K and L series

Actuator clamping nut		A
Gasket set (Bellows sealed)		B, G
Stem seal kits	PTFE chevrons	C
	PTFE to Graphite conversion kit	C1
	Graphite packing	C2
Plug stem and seat kit	* Equal percentage trim (No gaskets supplied)	D3, E
	Fast opening trim (No gaskets supplied)	D4, E
	Linear trim (No gaskets supplied)	D5, E
Bellow seal assembly		F
PTFE soft seal		H

* Specify if reduced trim.

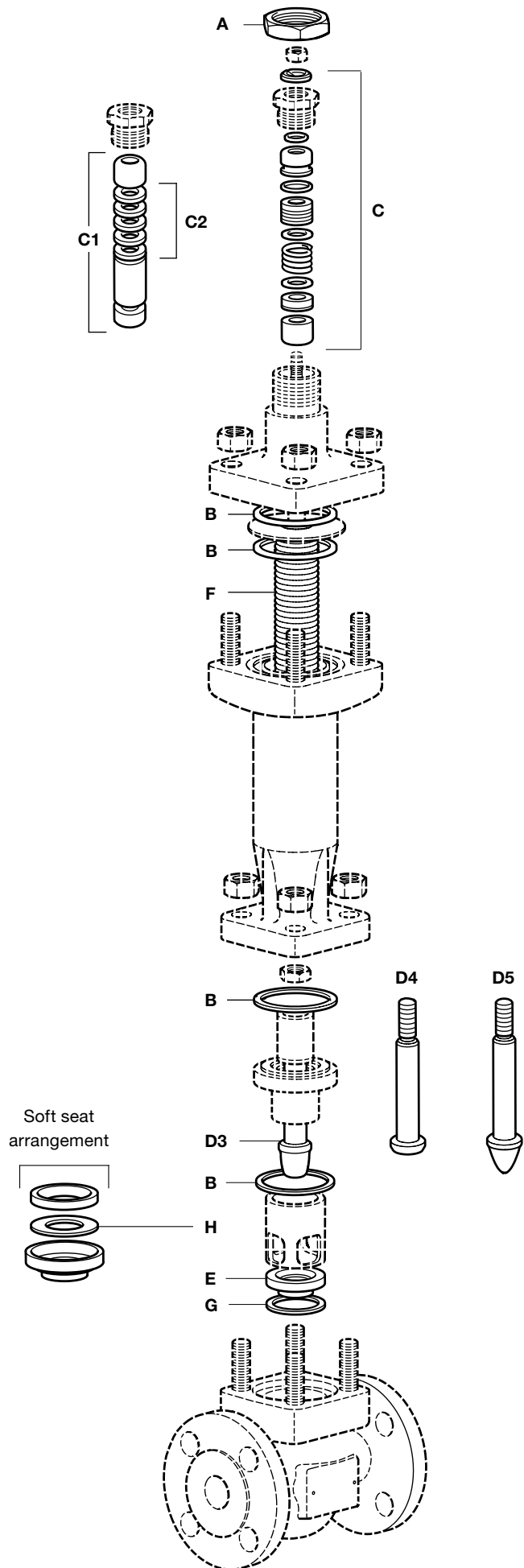
How to order spares

Always order spares by using the description given in the column headed 'Available spares', and state the size and type of valve including the full product description of the product.

Example: 1 - PTFE stem seal kit for a Spirax Sarco DN25 SPIRA-TROL two-port KE43B TSUSS.2 K_{Vs} 10 control valve.

How to fit spares

Full fitting instructions are given in the Installation and Maintenance Instructions supplied with the spare.



Spare parts

SPIRA-TROL with bellows seal (Type D)

The spare parts available are shown in solid outline. Parts drawn in broken line are not supplied as spares.

Note: When placing an order for spare parts please specify clearly the full product description as found on the label of the valve body, as this will ensure that the correct spare parts are supplied.

Available spares - KE_B, KF_B and KL_B

Actuator clamping nut	A
Gasket set (Bellows sealed)	B, G
Stem seal kit Graphite secondary seal and gasket set	C2
* Equal percentage trim (No gaskets supplied)	D3, E
Plug stem and seat kit Fast opening trim (No gaskets supplied)	D4, E
Linear trim (No gaskets supplied)	D5, E
Bellows seal assembly	F
PTFE or PEEK soft seat seal	H

* Specify if reduced trim.

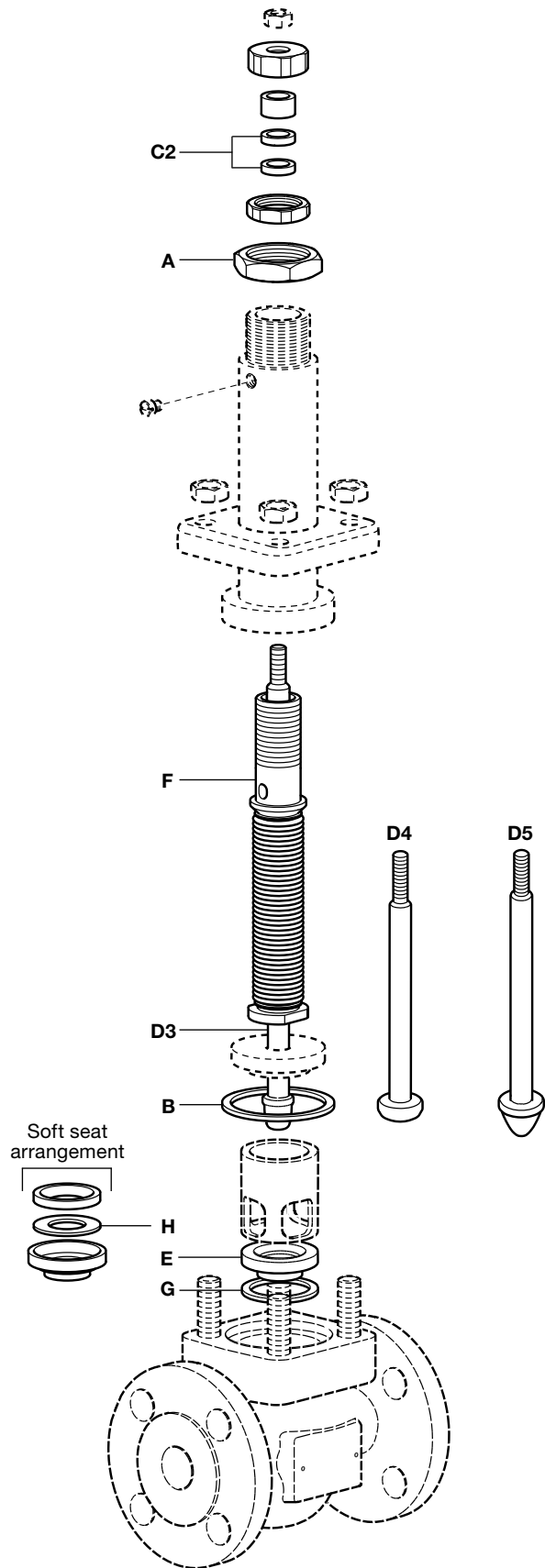
How to order spares

Always order spares by using the description given in the column headed 'Available spares', and state the size and type of valve including the full product description of the product.

Example: 1 - PTFE stem seal kit for a Spirax Sarco DN25 SPIRA-TROL two-port KE43B TSUSS.2 K_{Vs}10 control valve.

How to fit spares

Full fitting instructions are given in the Installation and Maintenance Instructions supplied with the spare.



SPIRA-TROL selection guide:

Valve size	DN15, DN20, DN25, DN32, DN40, DN50, DN65, DN80 and DN100	DN25
Valve series	K = K series 2-port control valve	K
	E = Equal percentage	
Valve characteristic	F = Fast opening L = Linear	E
Flow direction	T = Flow over plug (not available for low noise trim) Blank = Flow under plug	
Body material	4 = Carbon steel 6 = Stainless steel 7 = SG iron	4
Connections	1 = Screwed 3 = Flanged	3
Stem sealing	P = PTFE B = Bellows / PTFE chevron seals C = Bellows / Graphite seals D = Bellows / Graphite secondary seals H = Graphite	P
Seating	T = 431 stainless steel G = PTFE soft seat K = PEEK soft seat S = 316L stainless steel W = 316L with stellite 6 facing	T
Type of trim	S = Standard trim P = Low noise cage	S
Trim balancing	U = Unbalanced	U
Bonnet type	S = Standard E = Extended (not available if bellows seal selected)	S
Bolting	S = Standard H = High temperature	S
Series	2 = .2	.2
K_{vs}	To be specified	K_{vs} 10
Connection type	To be specified	Flanged PN40

Please note: The PN16 flanges for the DN65 KE73 sizes have 4 bolt holes as standard; 8 bolt holes are available on request.

Selection example:

DN25 - K E 4 3 P T S U S S .2 - K_{vs} 10 - Flanged PN40

How to order

Example: 1 off Spirax Sarco DN25 SPIRA-TROL KE43PTSUSS.2 K_{vs} 10 two-port control valve having flanged PN40 connections.