



TI-P470-01
 CH Issue 8

DP27, DP27E, DP27G, DP27GY, DP27R and DP27Y Pilot Operated Pressure Reducing Valves with SG Iron Bodies

Description

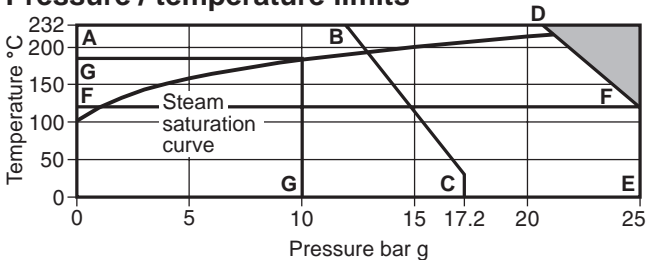
DP27, DP27E, DP27G, DP27GY, DP27R and DP27Y pilot operated pressure reducing valves have bodies manufactured using SG iron.

	DP27	Suitable for steam or compressed air applications.
	DP27E	Suitable for steam applications. It incorporates an electrical solenoid valve in the pipe assembly allowing remote closure by means of a switching or timer device.
	DP27G	Suitable for compressed air and inert industrial gas applications. Its design incorporates a nitrile soft seal pilot and main valve. Note: it is not suitable for oxygen services or available with solenoid.
Available types	DP27GY	Suitable for compressed air, inert industrial gas and critical low pressure control applications. Its design incorporates a nitrile soft seal pilot and main valve, and uses a lower rate control spring with a downstream pressure range of 0.2 - 3.0 bar. Note: it is not suitable for oxygen services or available with solenoid.
	DP27R	This can be remotely adjusted by varying a pressure signal to the pilot diaphragm. This is usually achieved using a Spirax-Monnier pressure regulator with a compressed air supply.
	DP27Y	Suitable for steriliser or critical low pressure control applications. It uses a lower rate control spring with a downstream pressure range of 0.2 - 3.0 bar.

Standards - This product fully complies with the requirements of the European Pressure Equipment Directive 97/23/EC and carries the **CE** mark when so required.

Certification - This product is available with a manufacturer's Typical Test Report. **Note:** All certification/inspection requirements must be stated at the time of order placement.

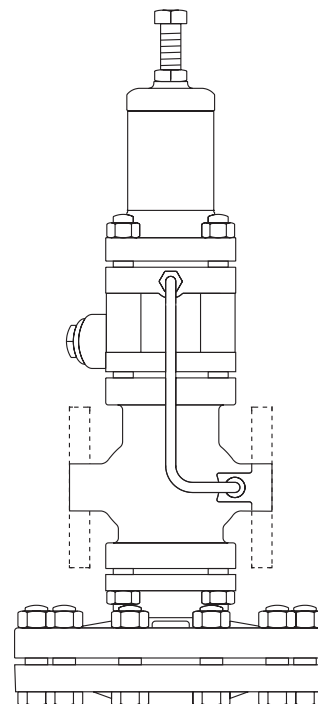
Pressure / temperature limits



- A-D-E** Screwed and flanged EN 1092 PN25, ASME 300 and BS 10 Table H.
- A-B-C** Flanged ASME 150.
- F-F-E** The DP27G and DP27GY are limited to 120°C.
- G-G** The DP27E is limited to 10 bar g @ 190°C.
- Note:** A variable rate conical pressure adjustment spring is fitted providing a downstream pressure range of 0.2 - 17 bar g. For the DP27Y downstream pressure range is 0.2 - 3 bar g.

Body design conditions	PN25	
Maximum design pressure	A-D-E	25 bar g @ 120°C
	A-B-C	17.2 bar g @ 40°C
Maximum design temperature	232°C @ 21 bar g	
Minimum design temperature	-10°C	
Maximum upstream pressure for saturated steam service	DP27, DP27G, DP27GY DP27R and DP27Y	17 bar g
	DP27E	10 bar g
Maximum operating temperature	DP27, DP27Y	232°C @ 21 bar g
	DP27E	190°C @ 10 bar g
	DP27G, DP27GY	120°C @ 25 bar g
Minimum operating temperature	0°C	
Note: For lower operating temperatures consult Spirax Sarco		
Maximum differential pressure	DP27, DP27G, DP27GY DP27R and DP27Y	17 bar
	DP27E	10 bar
Designed for a maximum cold hydraulic test pressure of 38 bar g		
Note: With internals fitted, test pressure must not exceed 25 bar g		

DP27 shown



Sizes and pipe connections

DN15LC - Low Capacity version (not available for DP27G or DP27GY)
 DN15, DN20, DN25, DN32, DN40 and DN50

Screwed BSP (BS 21 parallel) or NPT (DN15 to DN25 only).

Standard flanges: DN15 - DN50 EN 1092 PN16 and PN25
 DN25 - DN50 BS 10 Table H and ASME 300

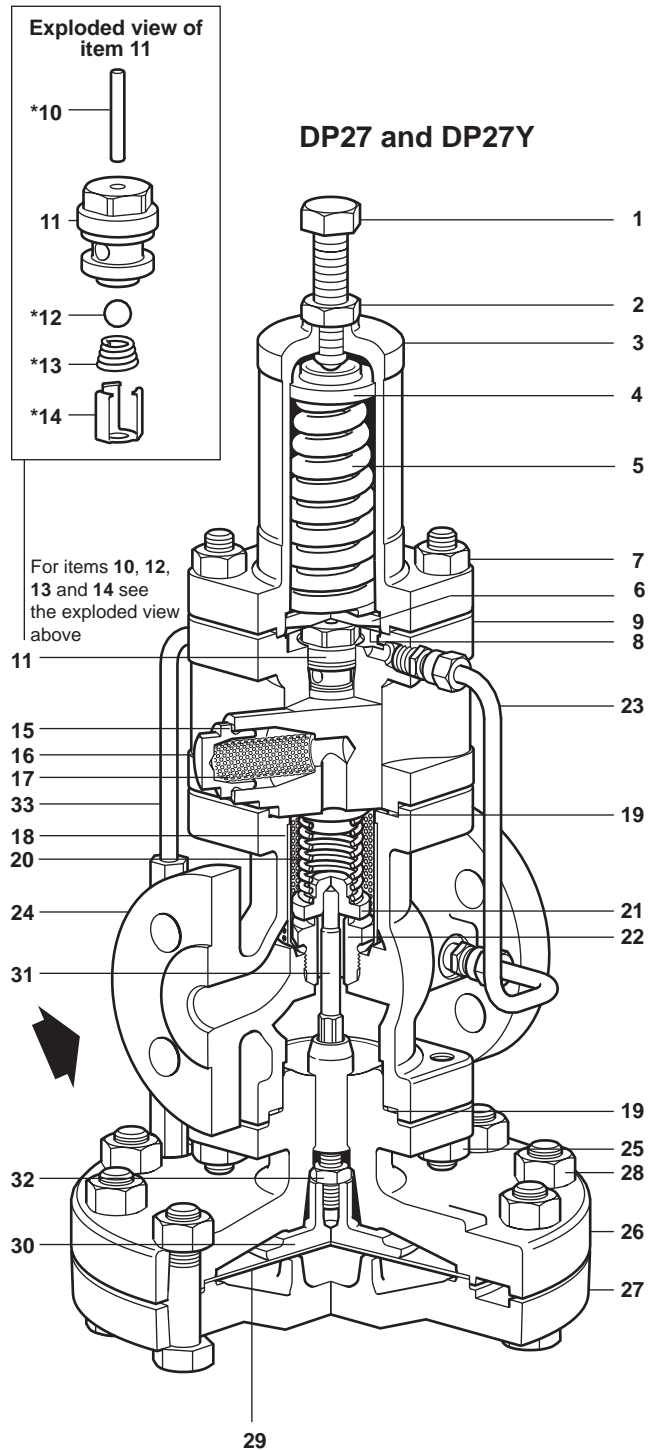
Flanges available on request:

- DN15 - DN50 JIS 10/16 and ASME 150
- DN15 - DN20 BS 10 Table F
- DN15 ASME 300

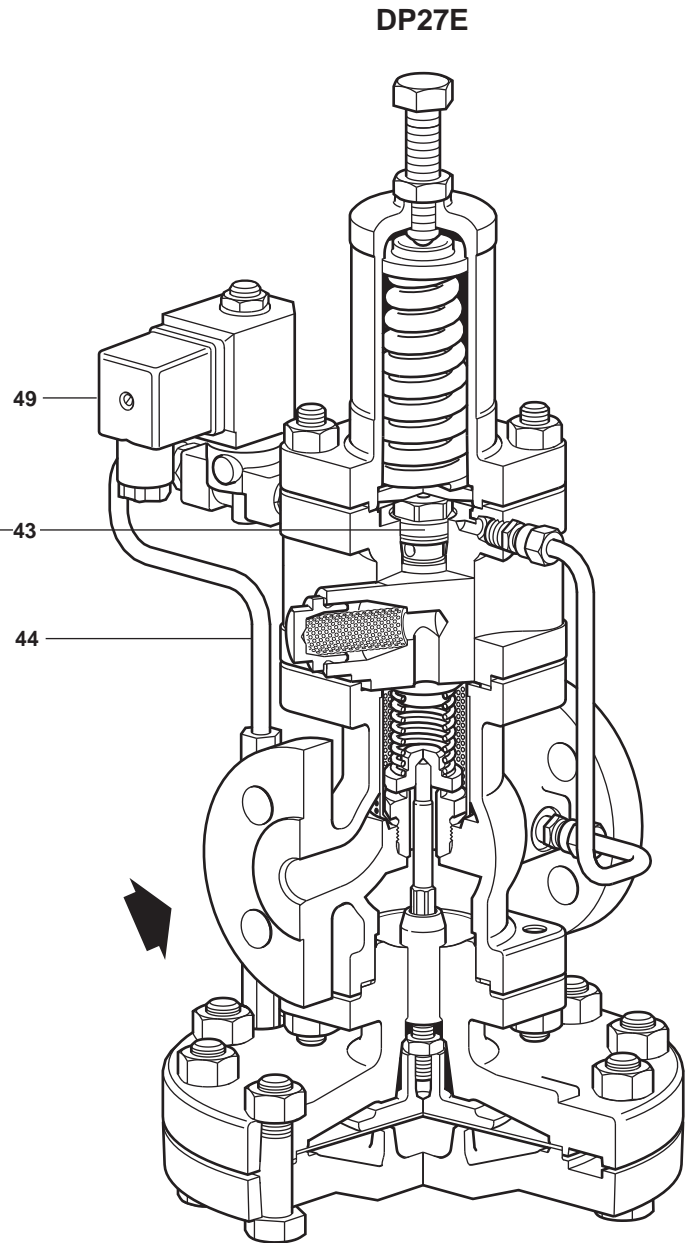
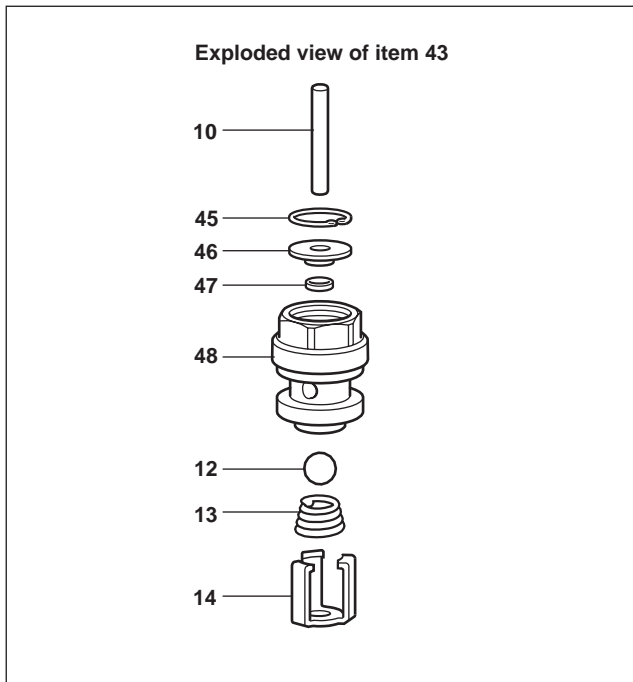
Materials - DP27 and DP27Y

No. Part	Material	
1 Adjustment screw	Steel	BS 3692 Gr. 8.8
2 Adjustment lock-nut	Steel	BS 3692 Gr. 8
3 Spring housing	SG iron	DIN1693 GGG 40.3
4 Top spring plate	Stainless steel	ASTM A351/A351M CF8M
5 Pressure adjustment spring	Stainless steel	BS EN 10270-3:2001 302 S 26
6 Bottom spring plate	Brass	BS 2872 CZ 122
7 Spring housing	Securing nuts	Steel BS 3692 Gr. 8
	Securing studs	Steel BS 4439 Gr. 8.8 DN15 to DN32 M10 x 95 mm DN40 and DN50 M12 x 95 mm
8 Pilot diaphragms	Phosphor bronze	BS 2870 PB102 1980
9 Pilot valve chamber	SG iron	DIN 1693 GGG 40.3
* 10 Pilot valve plunger	Stainless steel	BS 970 321 S 31
11 Pilot valve seat with integral seal	Stainless steel + PTFE	BS 970 431 S 29
* 12 Pilot valve ball	Stainless steel	AISI 420
* 13 Pilot valve spring	Stainless steel	BS 2057 302 S 26
* 14 Pilot valve clip	Stainless steel	BS EN 10088-2 1995 1.4310
15 Pilot filter cap gasket	Stainless steel	BS 1449 316 S 11
16 Pilot filter cap	Stainless steel	BS 970 431 S 29
17 Pilot filter element	Brass	
18 Internal strainer	Stainless steel	ASTM A240 TP 304
19 Body gasket	Stainless steel reinforced exfoliated graphite	
20 Main valve return spring	Stainless steel	BS 2056 302 S 26
21 Main valve	Stainless steel	BS 970 431 S 29
22 Main valve seat	Stainless steel	BS 970 431 S 29
23 Balance pipe assembly	Copper	BS 2871 C 106 ½H
24 Main valve body	SG iron	DIN 1693 GGG 40.3
25 Main body	Securing nuts	Steel BS 3692 Gr. 8
	Securing studs	Steel BS 4439 Gr. 8.8 DN15 to DN32 M10 x 25 mm DN40 and DN50 M12 x 30 mm
26 Main diaphragm chamber - upper	SG iron	DIN 1693 GGG 40.3
27 Main diaphragm chamber - lower	SG iron	DIN 1693 GGG 40.3
28 Main diaphragm	Securing nuts	Steel BS 3692 Gr. 8
	Securing bolts	Steel BS 3692 Gr. 8.8 DN15 to DN32 M12 x 50 mm DN40 and DN50 M12 x 55 mm
29 Main diaphragms	Phosphor bronze	BS 2870 PB 102 1980
30 Main diaphragm plate	Brass	BS 2872 CZ 122
31 Pushrod	Stainless steel	BS 970 431 S 29
32 Lock-nut	Steel	BS 3692 Gr. 8
33 Control pipe assembly	Brass and copper	
34 Plug ½" BSP	Steel	

Note: This item is hidden from view



* Note: Items 10, 12, 13 and 14 are shown on the exploded view, as they are hidden by the pilot filter on the main illustration.



Materials - DP27E

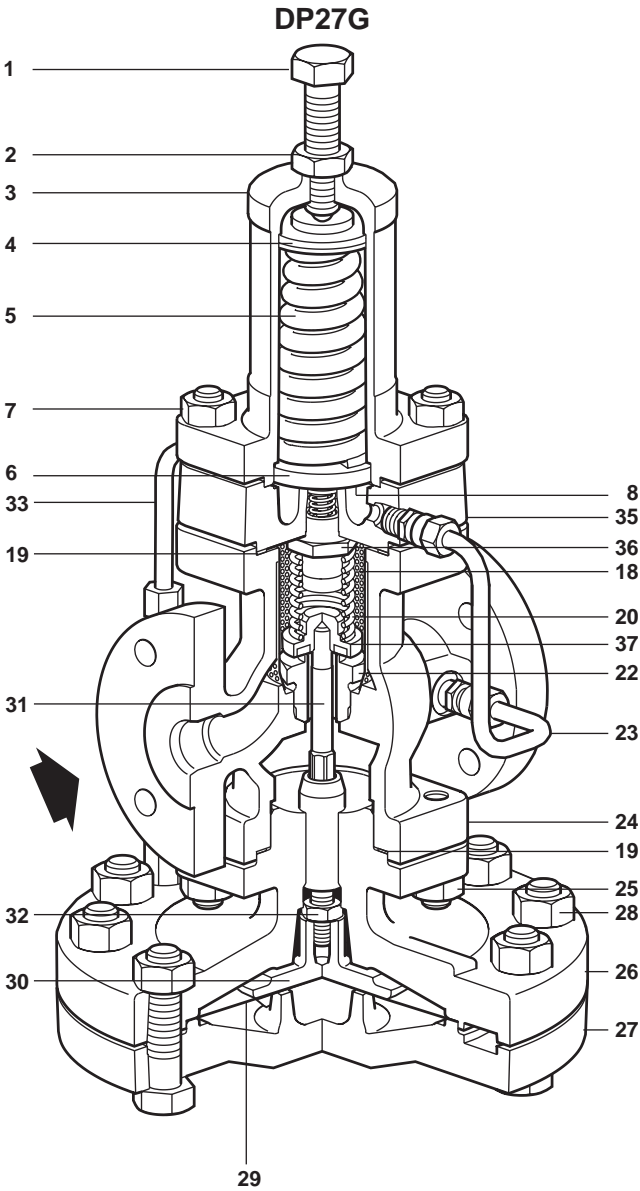
See DP27 items list on page 2 for common components

No. Part	Material
43	Pilot valve assembly with integral seal
44	Pipe assembly Brass and copper
45	Circlip Stainless steel 1.4116
46	Retainer Stainless steel BS 970 431 S 29
47	Variseal Composite elastomer/stainless steel Turcon T40/AQISI 302
48	Pilot seat Stainless steel + PTFE BS 970 431 S 29
49	Solenoid assembly

Materials - DP27G and DP27GY

See DP27 items list on page 2 for common components

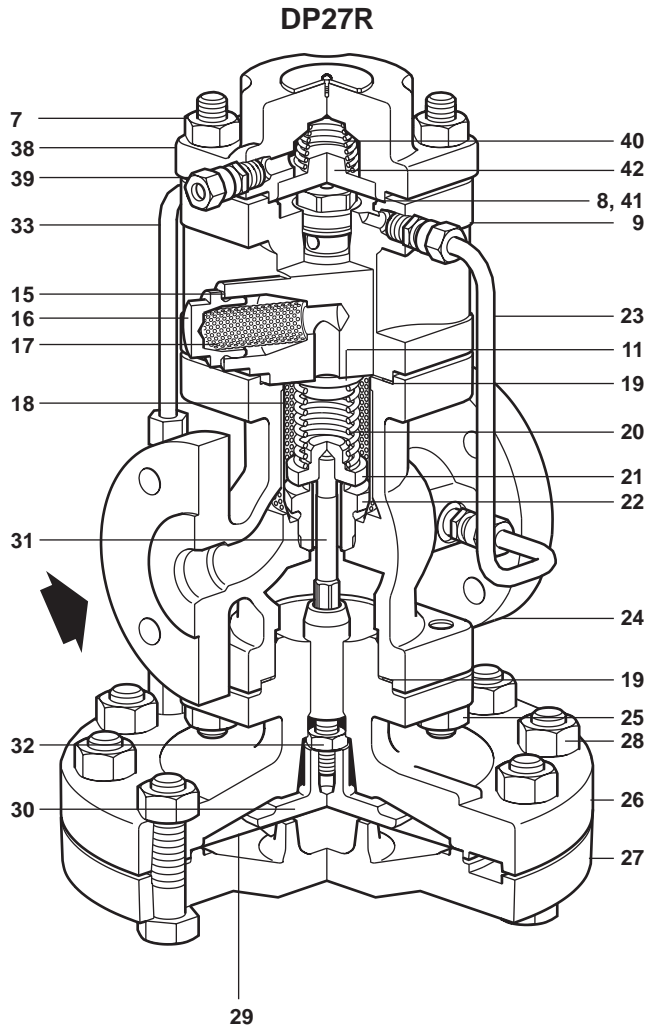
No. Part	Material	
35	Pilot valve chamber	SG iron DIN 1693 GGG 40.3
36	Pilot valve assembly	Brass / PTFE / Nitrile
37	Main valve assembly	Stainless steel / Nitrile BS 970 431 S29



Materials - DP27R

See DP27 items list on page 2 for common components

No. Part	Material	
38	Actuating chamber cover	SG iron DIN 1693 GGG 40.3
39	Actuating air supply union	Brass
40	Diaphragm spring	Stainless steel BS 2056 Gr. 302 S26
41	Actuating chamber gasket	Stainless steel reinforced exfoliated graphite BS 2815 Gr. A
42	Spring plate	Brass BS 2872 CZ 122



Technical data (Solenoid valve)

Voltages available	220/240 ±10% Vac or 110/220 ±10% Vac (others available on request)	
Frequency	50/60 Hz	
Power consumption	Inrush 45 VA	Holding 23 VA

- Notes for DP17R only:**
1. Maximum downstream reduced pressure 15 bar g.
 2. The control pressure signal to the pilot diaphragm must be approximately 0.7 bar above the required reduced downstream pressure.

K_v values

The K_v maximum values shown below are full capacities and should be used for safety valve sizing purposes only.

DN15LC	DN15	DN20	DN25	DN32	DN40	DN50
1.0	2.8	5.5	8.1	12.0	17.0	28.0

For conversion: C_v (UK) = K_v x 0.963 C_v (US) = K_v x 1.156

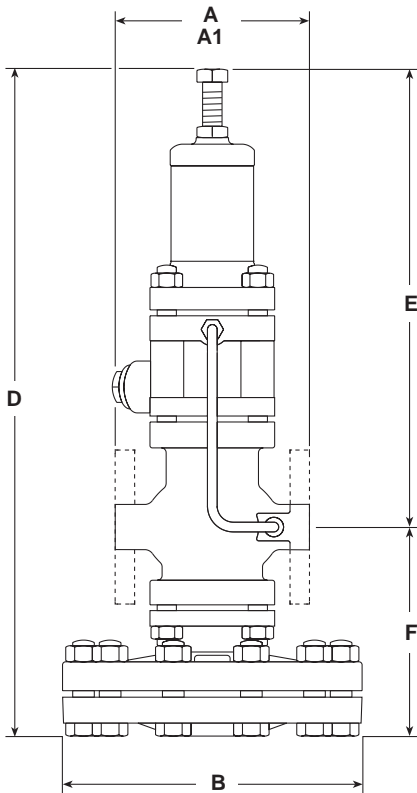
Note: Where the internal balance pipe is used the valve capacity will be reduced.

Dimensions / weights (approximate) in mm and kg

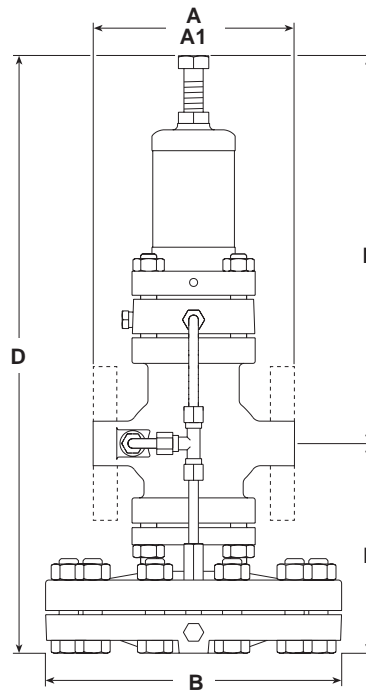
DP27, DP27E and DP27Y

Size	Screwed	Flanged						B	D	E	F	Weight	
	A	BS 10 H A1	PN16/25 A1	ASME 300 A1	BS 10 F A1	ASME 150 A1	JIS 10/16 A1					Screwed	Flanged
DN15LC	160	-	130	126.6	117	120.2	122	185	406	276	130	13.2	14.0
DN15	160	-	130	126.6	117	120.2	122	185	406	276	130	13.2	14.0
DN20	160	-	150	-	133	139.4	142	185	406	276	130	13.2	14.9
DN25	180	160	160	160.0	-	160.0	152	207	430	282	148	14.2	17.2
DN32	-	180	180	180.0	-	176.0	176	207	430	282	148	-	18.2
DN40	-	200	200	200.0	-	199.0	196	255	475	297	178	-	30.2
DN50	-	230	230	230.0	-	228.0	222	255	475	297	178	-	32.2

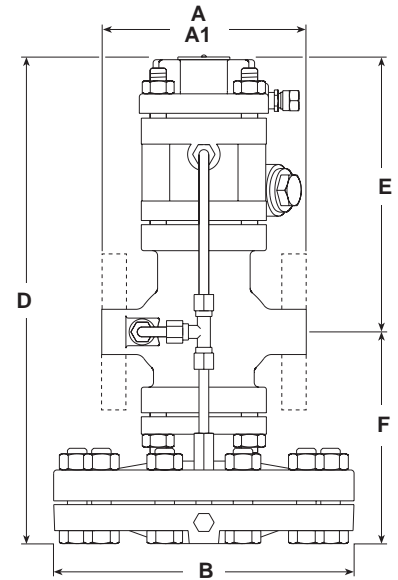
DP27, DP27E and DP27Y



DP27G and DP27GY



DP27R



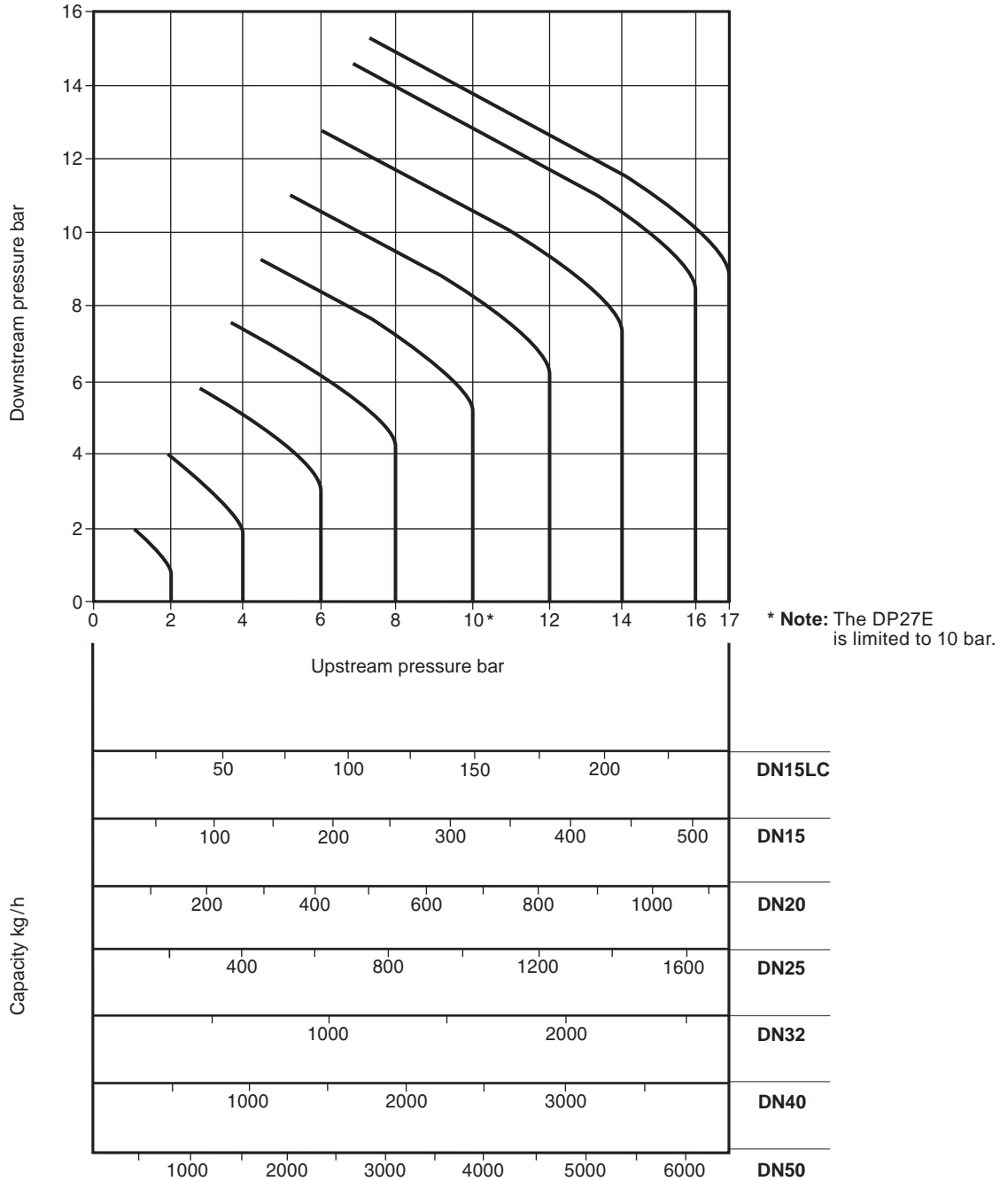
DP27G and DP27GY

Size	Screwed	Flanged						B	D	E	F	Weight	
	A	BS 10 H A1	PN16/25 A1	ASME 300 A1	BS 10 F A1	ASME 150 A1	JIS 10/16 A1					Screwed	Flanged
DN15	160	-	130	126.6	117	120.2	122	185	364	234	130	12.0	12.8
DN20	160	-	150	-	133	139.4	142	185	364	234	130	12.0	13.7
DN25	180	160	160	160.0	-	160.0	152	207	388	240	148	13.0	16.0
DN32	-	180	180	180.0	-	176.0	176	207	388	240	148	-	17.0
DN40	-	200	200	200.0	-	199.0	196	255	433	255	178	-	29.0
DN50	-	230	230	230.0	-	228.0	222	255	433	255	178	-	31.5

DP27R

Size	Screwed	Flanged						B	D	E	F	Weight	
	A	BS 10 H A1	PN16/25 A1	ASME 300 A1	BS 10 F A1	ASME 150 A1	JIS 10/16 A1					Screwed	Flanged
DN15LC	160	-	130	126.6	117	120.2	122	185	296	166	130	12.2	13.0
DN15	160	-	130	126.6	117	120.2	122	185	296	166	130	12.2	13.0
DN20	160	-	150	-	133	139.4	142	185	296	166	130	12.2	13.9
DN25	180	160	160	160.0	-	160.0	152	207	320	172	148	13.2	16.2
DN32	-	180	180	180.0	-	176.0	176	207	320	172	148	-	16.2
DN40	-	200	200	200.0	-	199.0	196	255	364	186	178	-	29.2
DN50	-	230	230	230.0	-	228.0	222	255	364	186	178	-	31.7

Steam capacities chart



Note

The capacities quoted above are based on valves fitted with an external pressure sensing pipe. Reliance on the internal pressure sensing pipe will mean that capacities may be reduced. In the case of low downstream pressure this reduction could be up to 30% of the valve capacity.

How to use the chart

Saturated steam

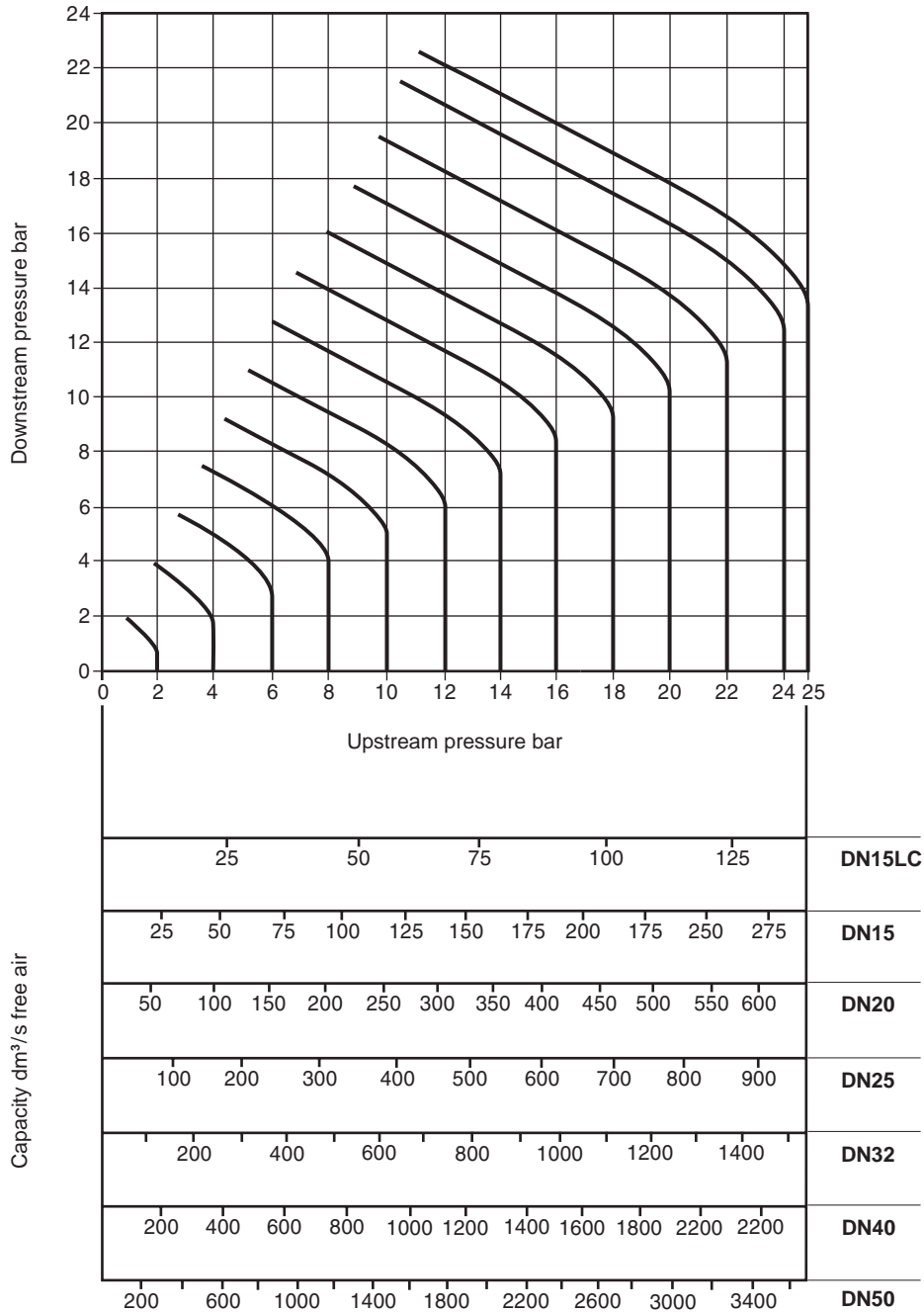
A valve is required to pass 600 kg/h reducing from 6 bar to 4 bar. Find the point at which the curved 6 bar upstream pressure line crosses the horizontal 4 bar downstream pressure line. A perpendicular dropped from this point gives the capacities of all DP sizes under these conditions. A DN32 valve, is the smallest size which will carry the required load.

Superheated steam

Because of the higher specific volume of superheated steam a correction factor must be applied to the figure obtained from the chart above. For 55°C of superheat the factor is 0.95 and for 100°C of superheat the factor is 0.9.

Using the example given for saturated steam, the DN32 valve would pass $740 \times 0.95 = 703$ kg/h if the steam had 55°C of superheat. It is still big enough to pass the required load of 600 kg/h.

Compressed air capacities chart



How to use the chart

Capacities are given in cubic decimetres of free air per second (dm³/s). The use of the capacity chart can be best explained by an example. Required, a valve to pass 100 dm³/s of free air reducing from 12 bar to 8 bar.

Find the point at which the curved 12 bar upstream pressure line crosses the horizontal 8 bar downstream pressure line. A perpendicular dropped from this point shows that whereas a DN15LC valve will only pass 57 dm³/s and is therefore not large enough, a DN15 valve will pass approximately 120 dm³/s under these conditions and is the correct valve size to choose.

Safety information, installation and maintenance

For full details see the Installation and Maintenance Instructions (IM-P100-05 for the DP27G and DP27GY, or IM-P470-03 for the DP27E, DP27R and DP27Y) supplied with the product.

Installation note:

The pilot operated pressure reducing valve should be installed in a horizontal pipeline, protected by a strainer and a separator, with the direction of flow as indicated by the arrow on the valve body.

How to order example:

1 off Spirax Sarco DN32 DP27 pilot operated pressure reducing valve having a 0.2 - 17 bar spring and flanged EN 1092 PN25 connections.

Spare parts

Available spares

Maintenance kit

A stand-by set of spares for general maintenance purposes and covers all spares marked*

* Main diaphragm	(2 off)			A
* Pilot diaphragm	(2 off)			B
* Pilot valve assembly inclusive of filter element (Pilot valve chamber assembly for the DP27G and DP27GY)				C
* Pilot filter element and cap gasket (Not required for the DP27G and DP27GY)	(packet of 3 off each)			E, F
Main valve assembly				K, L
* Internal strainer				M
Main valve return spring				N
Pressure adjustment spring (Not required for DP27R)	DP27, DP27E and DP27G	0.2 to 17 bar		O
	DP27Y and DP27GY	0.2 to 3 bar		
* Control pipe assembly				P
* Balance pipe assembly				Q
* Body gasket (3 off)				R
Pilot valve block gasket (DP27R only)				R1
Set of spring housing / actuating chamber cover securing studs and nuts	(set of 4)			S
Set of main body studs and nuts	(set of 4)			T
Set of diaphragm securing bolts and nuts	Valve sizes	½" - DN32	(set of 10)	V
		DN40 and DN50	(set of 12)	
Pushrod and main diaphragm plate assembly				Y

Type DP27E only

Solenoid valve complete				W
Replacement coil				X1
Valve seat and core assembly				X2

How to order spares

Always order spares by using the description given in the column headed 'Available spares' and state the size and type of pressure reducing valve.

Example: 1 - Main valve assembly for a 1" Spirax Sarco Type DP27 pressure reducing valve.

How to fit. See Installation and Maintenance Instructions supplied with the pressure reducing valve. Further copies are available on request.

Interchangeability of spares

The following table shows how in certain sizes some parts are interchangeable. For example in the line headed 'Main diaphragm' the diaphragm used in the screwed valves ½" and ¾" is common to these sizes by the letter 'a', the letter 'c' indicates that one diaphragm is common to the DN40 and DN50 valves. All spares are interchangeable with the DP27T and where marked † are interchangeable with the 37D temperature control.**

** **Note:** This does not apply to the DP27G and DP27GY soft seat pilot valve or main valve assemblies.

Size DN	*** Screwed				*** Flanged						
	½" LC	½"	¾"	1"	15LC	15	20	25	32	40	50
Maintenance kit	a	a	a	b	f	f	a	b	c	d	e
Main diaphragm	a	a	a	b	a	a	a	b	b	c	c
† Pilot diaphragms	a	a	a	a	a	a	a	a	a	a	a
Pilot valve chamber assembly	a	a	a	a	a	a	a	a	a	b	b
Pilot filter element	a	a	a	a	a	a	a	a	a	a	a
Pilot filter cap gaskets	a	a	a	a	a	a	a	a	a	a	a
PTFE seals	a	a	a	a	a	a	a	a	a	a	a
† Main valve assembly	a	b	c	d	a	b	c	d	e	f	g
† Internal strainer	a	a	a	b	f	f	a	b	c	d	e
† Main valve return spring	a	a	a	a	a	a	a	a	a	c	c
Pressure adjustment spring	a	a	a	a	a	a	a	a	a	a	a
† Control pipe assembly	a	a	a	b	f	f	a	b	c	d	e
Balance pipe assembly	a	a	a	b	f	f	a	b	c	d	e
† Body gasket	a	a	a	a	a	a	a	a	a	b	b
Set of spring housing securing studs and nuts	a	a	a	a	a	a	a	a	a	b	b
† Set of main body studs and nuts	a	a	a	a	a	a	a	a	a	b	b
† Set of diaphragm securing bolts and nuts	a	a	a	a	a	a	a	a	a	b	b
Pushrod and main diaphragm plate assembly	a	a	a	b	a	a	a	b	b	c	c

*** Not available for the DP27G or the DP27GY

DP27, DP27G, DP27GY, DP27Y

