



Cert. No. LRQ 0963008

ISO 9001

spirax sarco

TI-P133-62
 ST Issue 3

M33V ISO

Full Bore Ball Valve API 6D

DN50 to DN200 ASME (ANSI) 150 and 300

Description

Produced in accordance with API 6D the M33V ISO full bore two-piece body ball valve with floating ball, has been designed for use as an isolating valve, not a control valve, on applications at low temperatures which use natural gas and most of the hydrocarbon fluids in the OPC refinery sites.

The M33V ISO ASME (ANSI) has as standard an ISO mounting pad in accordance with ISO 5211.

Available types

M33V2 ISO Zinc plated carbon steel body, PTFE seats and ISO mounting.

M33V3 ISO Stainless steel body, PTFE seats and ISO mounting.

Standards

This product fully complies with the requirements of the European Pressure Equipment Directive 97/23/EC and carries the **CE** mark when so required.

Certification

This product is available with certification to EN 10204 3.1. **Note:** All certification / inspection requirements must be stated at the time of order placement.

Options

- Hollow ball for DN150 and DN200 sizes - Not API 6D rated.
- Self-venting ball.
- Ring joint flanges.
- Extended stems to allow full insulation.
- Operation by mechanical or pneumatic actuator BVA300 series for all sizes.
- Operation by pneumatic actuator BVA300 series and mechanical declutchable actuator.
- Lockable handle.
- Materials according to NACE MR 0175.
- Surge valve.
- Drain plug.

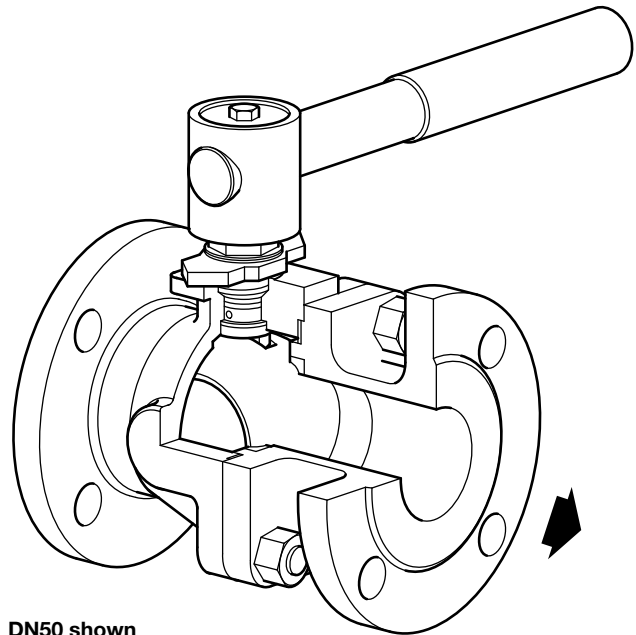
Sizes and pipe connections

DN50, DN65, DN80, DN100, DN150 and DN200.

Standard flange ASME (ANSI) B 16.5 Class 150 and 300 with face-to-face dimensions according to B 16.10.

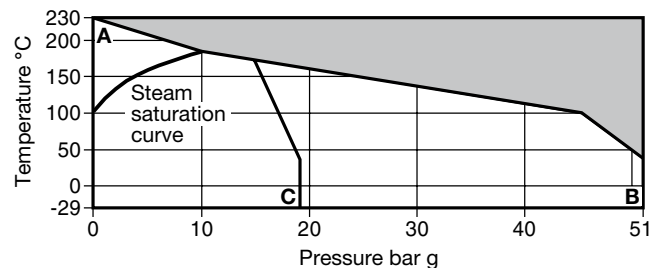
Technical data

Flow characteristic	Modified linear
Port	Full bore
Leakage test procedure to ISO 5208 (Rate A) / EN 12266-1 (Rate A) and BS 5351	
Antistatic device	Complies with ISO 7121 and BS 5351



DN50 shown

Pressure/temperature limits

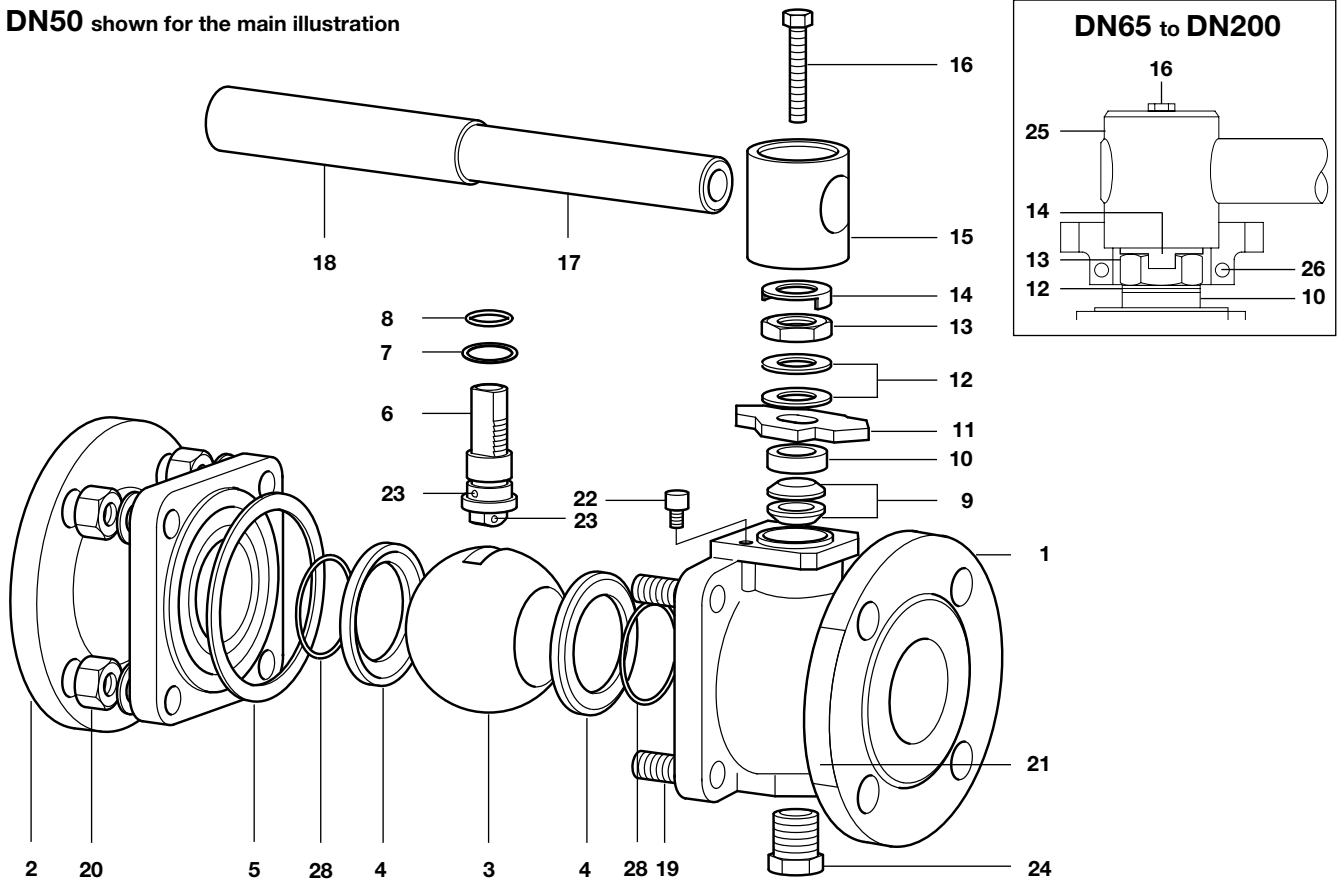


The product **must not** be used in this region.

- A - B** Flanged ASME (ANSI) 300.
- A - C** Flanged ASME (ANSI) 150.

Body design conditions	ASME B 16.34	
PMA	Maximum allowable pressure	ASME 150 19 bar g @ 38°C ASME 300 51 bar g @ 38°C
TMA	Maximum allowable temperature	230°C @ 0 bar g
Minimum allowable temperature		-29°C
PMO	Maximum operating pressure for saturated steam service	10 bar g
TMO	Maximum operating temperature	230°C @ 0 bar g
Minimum operating temperature		-29°C
Note:	For lower operating temperatures consult Spirax Sarco	
ΔPMX	Maximum differential pressure is limited to the PMO	
Designed for a maximum cold hydraulic test pressure of:	ASME 150	28.5 bar g
	ASME 300	76.5 bar g

DN50 shown for the main illustration



Materials

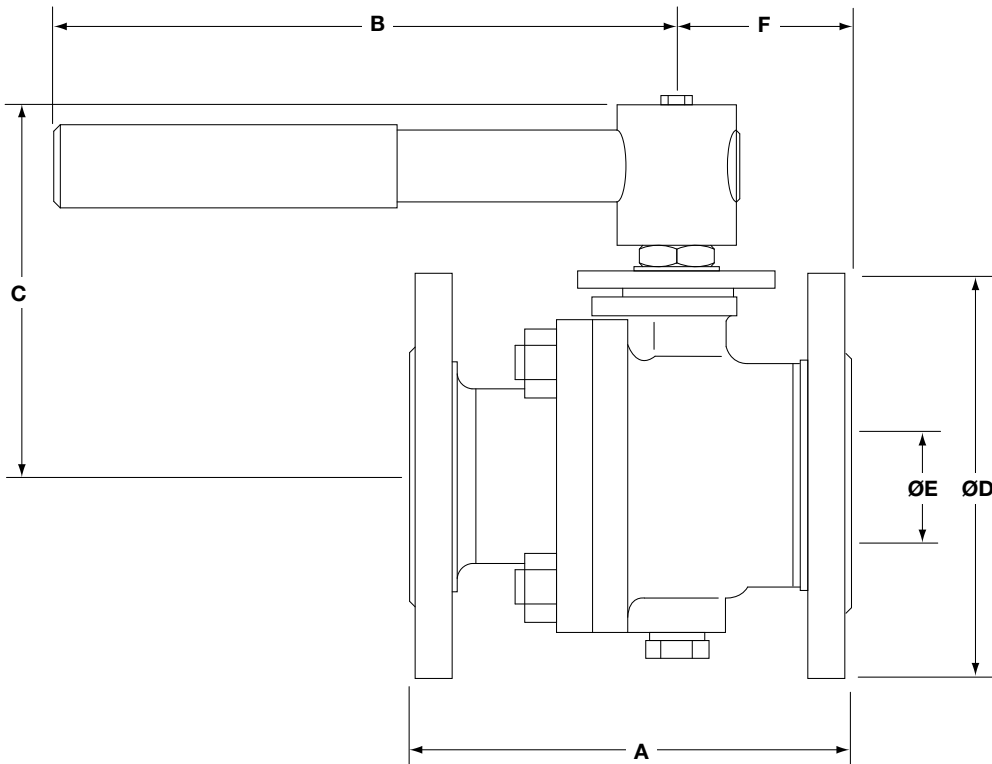
No.	Part	Material	
1	Body	M33V2 ISO	Zinc plated carbon steel ASTM A 216 WCB
		M33V3 ISO	Stainless steel ASTM A 351 CF8M
2	Insert	M33V2 ISO	Zinc plated carbon steel ASTM A 21 6 WCB
		M33V3 ISO	Stainless steel ASTM A 351 CF8M
3	Solid ball	Stainless steel	AISI 316
4	Seats	PTFE	
5	Body gasket	Grafoil with metal insert	
6	Stem	Stainless steel	AISI 316 / AISI 420
7	Lower stem seal	Carbon and graphite R-PTFE	
8	'O' ring	Viton	
9	Upper stem packing	PTFE	
10	Separator	Zinc plated carbon steel	SAE 1010
11	Stop plate with indicator for DN50	Zinc plated carbon steel	SAE 1010
12	Belleville stem washer	Carbon steel / stainless steel	
13	Gland nut	Carbon steel	SAE 12L14
14	Locking plate	Stainless steel	AISI 304
15	Adaptor DN50	Zinc plated SG iron	
16	Screw	Carbon steel	Grade 5
17	Handle	Zinc plated carbon steel	SAE 1010
18	Grip	Vinyl (Orange)	
19	Stud	Carbon steel	A193-B7
20	Nut	Zinc plated carbon steel	A194-2H
21	Photochemical name-plate	Stainless steel	AISI 304
22	Stop screw	Zinc plated carbon steel	SAE 12L14
23	Antistatic device ball	Stainless steel	AISI 304
24	Drain plug (optional)	Carbon steel	
25	Adaptor with indicator for DN65 to DN200	Zinc plated SG iron	
26	Stop screw for DN65 to DN200	Carbon steel	
27	Lifting eye (DN200 only) - not shown	Zinc plated carbon steel	SAE 1010
28	'O' ring	Viton	

Dimensions/weights (approximate) in mm and kg**Flanged ASME (ANSI) 150**

Size	A	B	C	D	E	F	Weight
DN50	178	275	140	152	50	70	10.8
DN65	190	415	160	178	63	82.5	16.2
DN80	203	515	168	191	74	87	20.0
DN100	229	700	202	229	100	106	35.3
DN150	394	850	283	279	150	197	80.2
DN200	457	950	317	343	201	228	140.0

Flanged ASME (ANSI) 300

Size	A	B	C	D	E	F	Weight
DN50	216	275	140	165	50	85.5	14.8
DN65	241	415	160	191	63	90.5	22.8
DN80	283	515	168	210	74	99	30.0
DN100	305	700	202	254	100	122	50.0
DN150	403	850	283	318	150	179	111.2
DN200	502	950	317	381	201	213	185.3

**K_v values**

DN	50	65	80	100	150	200
K _v	300	430	750	1030	2410	4800

For conversion: C_v (UK) = $K_v \times 0.963$ C_v (US) = $K_v \times 1.156$

Operating torque (N m)

DN	50	65	80	100	150	200
N m	75	120	190	250	720	1150

The torque figures shown are for a valve at maximum operating pressure that is operated frequently. Valves that are subject to long static periods, may require greater break-out torque.

Safety information, installation and maintenance

For full details see the Installation and Maintenance Instructions supplied with the product.

How to order

Specify:	Size	DN50, DN65, DN80, DN100, DN150, DN200
	Model	M33V_ISO
	Body material	2 = Carbon steel 3 = Stainless steel
	Flanges	ASME 150 or ASME 300

Example: 1 off Spirax Sarco DN50 flanged ASME 150 M33V2 ISO ball valve.

Spare parts

The spare parts available are shown in solid outline. Parts drawn in broken line are not supplied as spares.

Available spares

Seats, body gasket, stem seals, stem 'O' ring and seat 'O' ring set 4, 5, 7, 8, 9, 28

How to order spares

Always order spares by using the description given in the column headed 'Available spares' and state the size and type of ball valve.

Example: 1 - Seats, body gasket, stems seals and stem 'O' ring set for a Spirax Sarco DN80 flanged ASME M33V2 ISO ball valve.

