

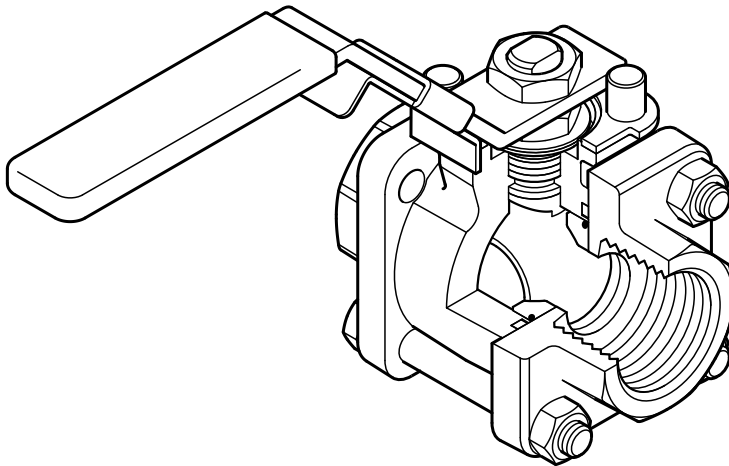


Cert. No. LRQ 0963008

ISO 9001

# spirax sarco

## M10Hi ISO Ball Valve DN1/4" to DN2 1/2"

**TI-P133-70**  
ST Issue 2


### Description

The M10Hi ISO three-piece body ball valve has a lockable handle and ISO mounting as standard and features a special ball, which has received a surface hardening. It can be used on applications that use steam and other industrial fluids for services ranging from vacuum to the higher temperatures and pressures. The M10Hi ISO has been designed for use as an isolating valve, not a control valve, and can be serviced without removal from the pipeline.

### ISO mounting

The integral ISO body mounting allows the valve to be automated without losing seal integrity, as the body does not require disassembly. Manual to remote control may therefore be easily accomplished by the ISO range of Spirax Sarco ball valves.

### Available types

<b>M10Hi2 ISO</b>	Zinc plated carbon steel body and caps.
<b>M10Hi3 ISO</b>	Stainless steel body and caps.
<b>M10Hi4 ISO</b>	Complete stainless steel construction.

**Note:** The nomenclature will be followed with either **FB** (full bore) or **RB** (reduced bore) and needs to be stated when placing an order.

### Standards

This product fully complies with the requirements of the European Pressure Equipment Directive 97/23/EC and carries the **CE** mark when so required.

### Certification

This product is available with certification to EN 10204 3.1. **Note:** All certification / inspection requirements must be stated at the time of order placement.

### Options

- Self-venting ball.
- Extended stem 100 mm (4") to allow full insulation.

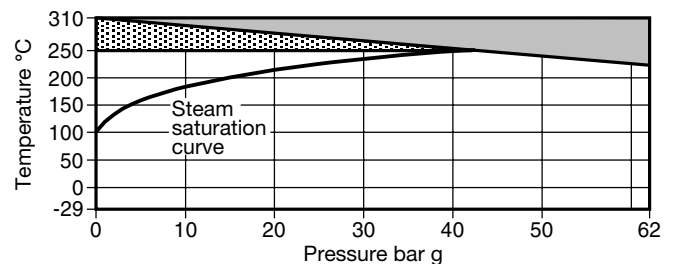
### Technical data

Flow characteristic	Modified linear
Port	Full and reduced bore versions
Leakage test procedure to ISO 5208 (Rate A)/EN 12266-1 (Rate A)	

### Sizes and pipe connections

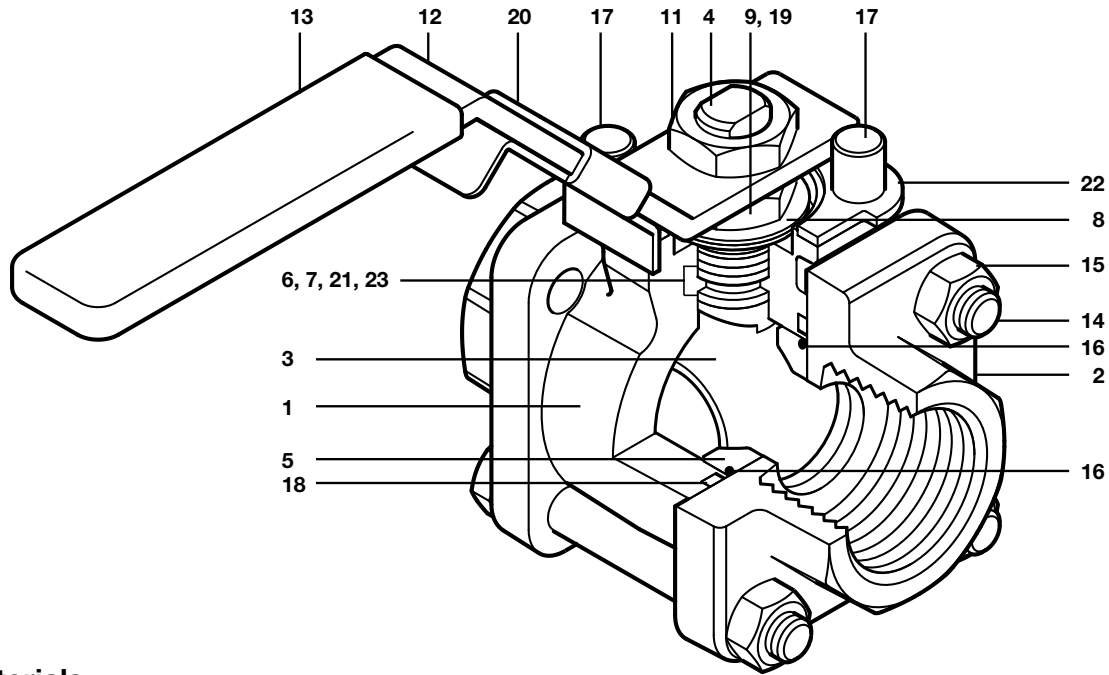
<b>Full bore</b>	<b>Flanged</b>
1/4", 3/8", 1/2", 3/4", 1", 1 1/4", 1 1/2" and 2"	DN15 to DN50
<b>Screwed</b> BSP, BSPT, NPT, BW, SW	ASME (ANSI) Class 150, 300 and EN 1092 PN40
<b>Reduced bore</b>	<b>Flanged</b>
1/4", 3/8", 1/2", 3/4", 1", 1 1/4", 1 1/2", 2" and 2 1/2"	DN15 to DN65
<b>Screwed</b> BSP, BSPT, NPT, BW, SW	ASME (ANSI) Class 150, 300 and EN 1092 PN40.

### Pressure / temperature limits



- The product **must not** be used in this region.
- The product can only be used in this region for short periods of time.

Body design conditions	PN63
PMA Maximum allowable pressure	62 bar g @ 215°C
TMA Maximum allowable temperature	310°C @ 0 bar g
Minimum allowable temperature	-29°C
PMO Maximum operating pressure for saturated steam service	39 bar g
TMO Maximum operating temperatures	For short periods 310°C @ 0 bar g
	For continuous operation 250°C @ 39 bar g
Minimum operating temperature	-29°C
<b>Note:</b> For lower operating temperatures consult Spirax Sarco	
ΔPMX Maximum differential pressure is limited to the PMO	
Designed for a maximum cold hydraulic test pressure of 93 bar g	



## Materials

No.	Part	Material	
1	Body	M10Hi2 ISO	Zinc plated carbon steel
		M10Hi3 ISO	Stainless steel
		M10Hi4 ISO	Stainless steel
2	Cap	M10Hi2 ISO	Zinc plated carbon steel
		M10Hi3 ISO	Stainless steel
		M10Hi4 ISO	Stainless steel
3	Ball	Stainless steel (hardened)	AISI 316
4	Stem	Stainless steel	AISI 316
5	Seat	Reinforced PEEK	
6	Stem seal	Reinforced PTFE	
7	Separator	M10Hi2 ISO	Zinc plated carbon steel
		M10Hi3 ISO	Stainless steel
		M10Hi4 ISO	Stainless steel
8	Belleville washer	Stainless steel	AISI 301
9	Lower stem nut	M10Hi2 ISO	Zinc plated carbon steel
		M10Hi3 ISO	Stainless steel
		M10Hi4 ISO	Stainless steel
10	Name-plate (Not shown)	Stainless steel	AISI 430
11	Upper stem nut	M10Hi2 ISO	Zinc plated carbon steel
		M10Hi3 ISO	Stainless steel
		M10Hi4 ISO	Stainless steel
12	Lever	M10Hi2 ISO	Zinc plated carbon steel
		M10Hi3 ISO	Stainless steel
		M10Hi4 ISO	Stainless steel
13	Grip	Vinyl yellow	
14	Studs	M10Hi2 ISO	Zinc plated carbon steel
		M10Hi3 ISO	Stainless steel
		M10Hi4 ISO	Stainless steel
15	Nuts	M10Hi2 ISO	Zinc plated carbon steel
		M10Hi3 ISO	Stainless steel
		M10Hi4 ISO	Stainless steel
16	Seat 'O' ring	Geothermal	
17	Stop screw	M10Hi2 ISO	Zinc plated carbon steel
		M10Hi3 ISO	Stainless steel
		M10Hi4 ISO	Stainless steel
18	Body / cap 'O' ring	Geothermal	
19	Nut locker	Stainless steel	AISI 304
20	Lockable handle	Stainless steel	AISI 304L
21	Stem seal	Graphite	
22	Lock-plate	Stainless steel	AISI 304L
23	Stem seal	Stainless steel	AISI 316

**Dimensions (approximate) in mm**

**Reduced bore**

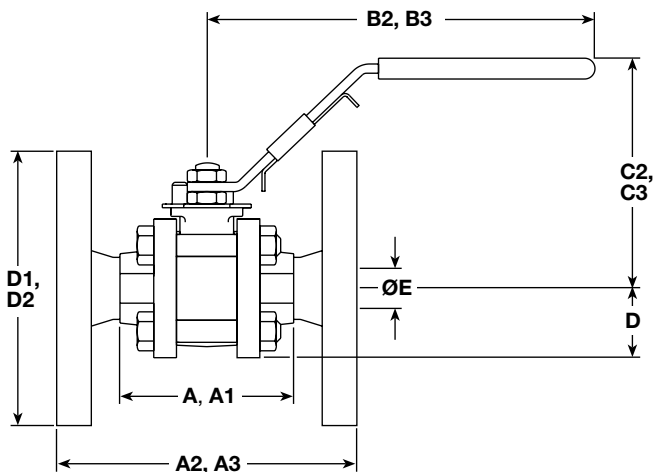
Size	A	A1	A2	A3	B2	B3	C2	C3	D	D1	D2	E
1/4"	66	66	-	-	162	-	93	-	24	-	-	11
3/8"	66	66	-	-	162	-	93	-	24	-	-	11
1/2"	66	66	108	130	162	162	93	93	24	89	95	11
3/4"	72	72	117	150	162	162	95	95	26	98	105	14
1"	87	87	127	160	162	162	101	101	31	108	115	21
1 1/4"	104	104	140	180	162	162	106	106	37	118	140	25
1 1/2"	111	111	165	200	186	186	118	118	41	127	150	31
2"	125	119	178	230	186	186	123	123	48	152	165	38
2 1/2"	153	153	-	-	251	251	140	140	57	-	-	50

**Full bore**

Size	A	A1	A2	A3	B2	B3	C2	C3	D	D1	D2	E
1/4"	66	66	-	-	162	-	93	-	24	-	-	11
3/8"	66	66	-	-	162	-	93	-	24	-	-	11
1/2"	72	72	-	130	162	162	95	95	26	-	95	14
3/4"	87	87	-	150	162	162	101	101	31	-	105	21
1"	104	104	-	160	162	162	106	106	37	-	115	25
1 1/4"	111	111	-	180	186	186	118	118	41	-	140	31
1 1/2"	125	125	-	200	186	186	123	123	48	-	150	38
2"	153	153	-	230	251	251	140	140	57	-	165	50

**Weights (approximate) in kg**

Size	Reduced bore			Full bore	
	Scrd /BW/SW	PN40	ASME 150	Scrd /BW/SW	PN40
1/4"	0.86	-	-	0.86	-
3/8"	0.84	-	-	0.84	-
1/2"	0.81	2.35	1.70	1.02	2.59
3/4"	1.02	3.20	2.25	1.56	3.76
1"	1.56	4.30	2.92	2.35	5.02
1 1/4"	2.35	6.40	4.15	3.08	6.92
1 1/2"	3.08	7.20	6.40	4.41	9.09
2"	4.41	10.72	8.35	9.05	13.96
2 1/2"	8.17	-	-	-	-



- A: Scrd and BW
- A1: SW
- A2: Flanged ASME 150
- A3: Flanged PN40
- B2: Scrd, BW and SW
- B3: Flanged PN40 and ASME 150
- C2: Scrd, BW and SW
- C3: Flanged PN40 and ASME 150
- D: Scrd, BW and SW
- D1: Flanged ASME 150
- D2: Flanged PN40
- E: All versions

**K<sub>v</sub> values**

Size	1/4"	3/8"	1/2"	3/4"	1"	1 1/4"	1 1/2"	2"	2 1/2"
Reduced bore	5	6.8	6	10	27	49	70	103	168
Full bore	5	6.8	17	36	58	89	153	205	-

For conversion  $C_v (UK) = K_v \times 0.963$        $C_v (US) = K_v \times 1.156$

**Operating torque (N m)**

Size	1/4"	3/8"	1/2"	3/4"	1"	1 1/4"	1 1/2"	2"	2 1/2"
Reduced bore	10	10	10	14	24	45	55	65	80
Full bore	10	10	14	24	45	55	65	80	-

The indicated torque values are for valves frequently operated, that are submitted to a maximum differential pressure of 40 bar. Valves that are subject to long static periods, may require greater break-out torque.

**Safety information, installation and maintenance**

For full details see the Installation and Maintenance Instructions supplied with the product.

**How to order example:**

1 off Spirax Sarco 1/2" screwed BSP M10Hi2FB ISO ball valve.

**Spare parts**

The spare parts available are shown in solid outline. Parts drawn in broken line are not supplied as spares.

**Available spares**

Seat, seals, body / cap 'O' ring and seat 'O' ring set **5, 6, 16, 18, 21, 23**

**How to order spares**

Always order spares by using the description given in the column headed 'Available spares' and state the size and type of ball valve. **Example:** 1 - Seat, seals, body / cap 'O' ring and seat 'O' ring set for a Spirax Sarco 1/2" M10Hi2FB ISO ball valve.

