



TI-P133-87  
 ST Issue 1

# M40Hi ISO Reduced Bore Ball Valves DN25 to DN150 Flanged ASME 150 and ASME 300

## Description

The M40Hi is a reduced bore ball valve, with a single piece body, having ISO mounting as standard. As a main feature the valve has a special ball which has received a surface hardening and also benefits from having reinforced PEEK seats.

The M40Hi can be used on applications that use steam and other industrial fluids for services ranging from vacuum to the higher temperatures and pressures. The M40Hi has been designed for use as an isolating valve, not a control valve.

## Available types

**M40Hi2 ISO** Zinc plated carbon steel body, reinforced PEEK seats.

**M40Hi3 ISO** Stainless steel body, reinforced PEEK seats.

## Standards

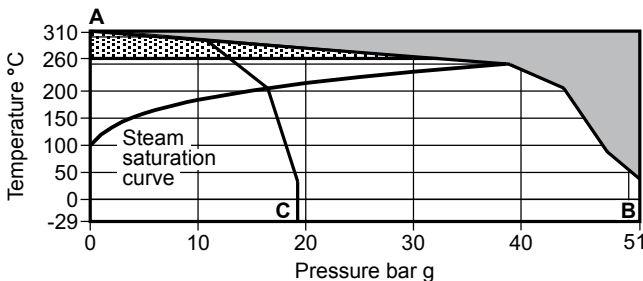
This product fully complies with the requirements of the European Pressure Equipment Directive 97/23/EC and carries the CE mark when so required.

## Certification

This product is available with certification to EN 10204 3.1.

**Note:** All certification/inspection requirements must be stated at the time of order placement.

## Pressure/temperature limits



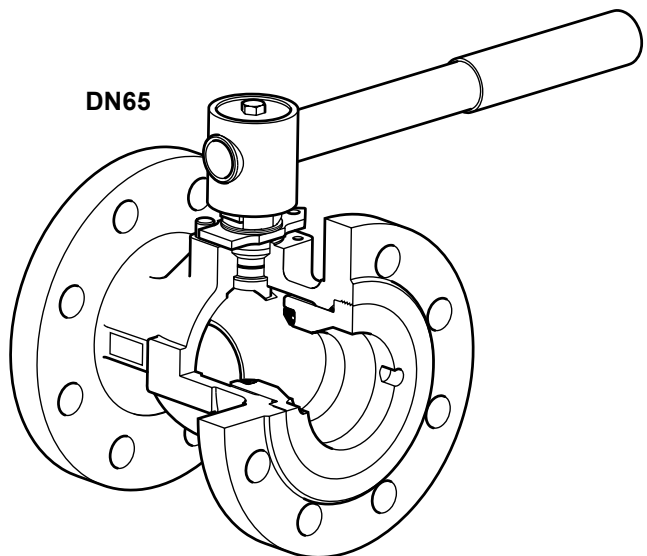
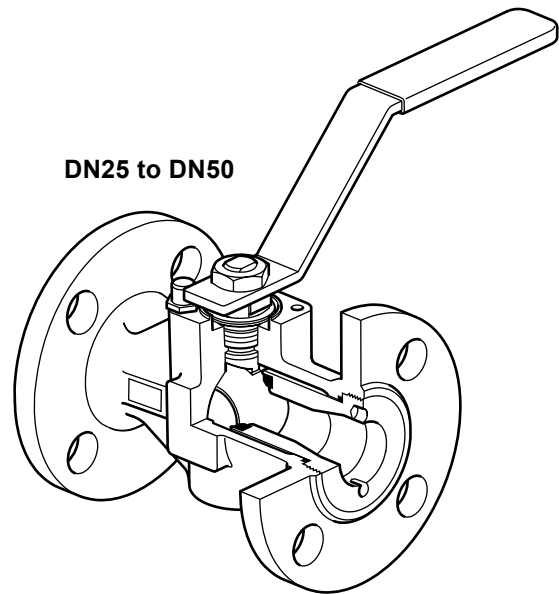
- The product **must not** be used in this region.
- The product can only be used in this region for short periods of time.

- A - B** Flanged ASME 300
- A - C** Flanged ASME 150

Body design conditions		ASME 150 and ASME 300	
PMA	Maximum allowable pressure	51 bar g @ 38°C	
TMA	Maximum allowable temperature	310°C @ 0 bar g	
Minimum allowable temperature		-29°C	
PMO	Maximum operating pressure for saturated steam service	ASME 150	17.5 bar g
		ASME 300	39 bar g
TMO	Maximum operating temperature	260°C @ 0 bar g	
Minimum operating temperature		-29°C	
<b>Note:</b> For lower operating temperatures consult Spirax Sarco			
ΔPMX Maximum differential pressure is limited to the PMO			
Designed for a maximum cold hydraulic test pressure of 76.5 bar g			

## Sizes and pipe connections

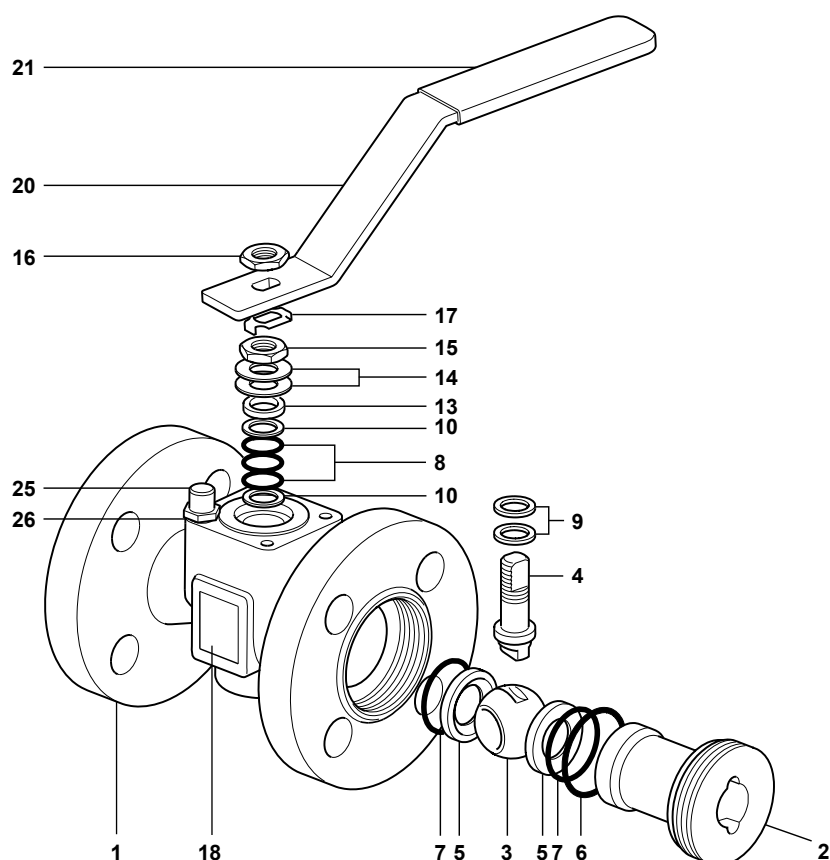
DN25, DN32, DN40, DN50, DN65, DN80, DN100 and DN150.  
 Standard flanges ASME Class 150 and ASME Class 300.



## Technical data

Flow characteristic	Modified linear
Port	Reduced bore
Leakage test procedure to ISO 5208 (Rate A)/EN 12266-1 (Rate A)	
Antistatic device (optional) complies with ISO 7121 and BS 5351	

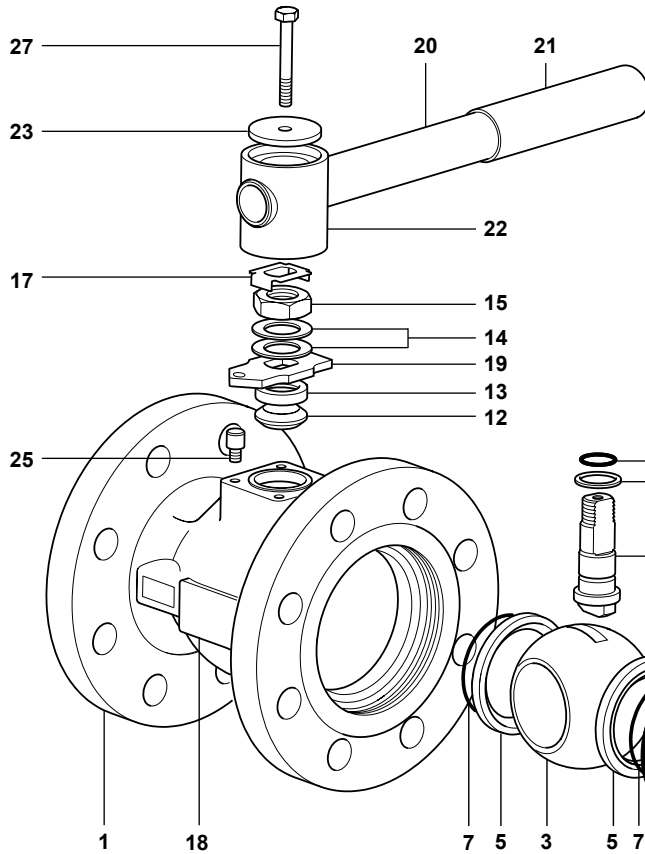
DN25 to DN50



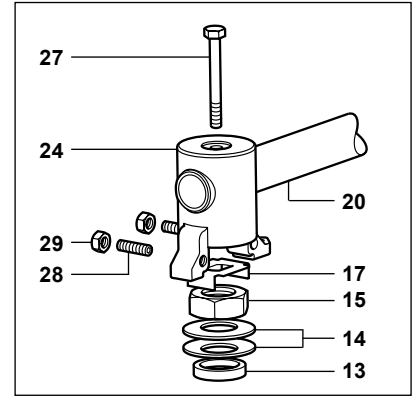
Materials

No.	Part		Material	
1	Body	M40Hi2 ISO	Zinc plated carbon steel	ASTM A216 WCB
		M40Hi3 ISO	Stainless steel	ASTM A351 CF8M
2	Insert	M40Hi2 ISO	Zinc plated carbon steel	SAE 1040
		M40Hi3 ISO	Stainless steel	AISI 316
3	Ball		Stainless steel	AISI 316 hardened surface
4	Stem		Stainless steel	AISI 316 / AISI 420
5	Seats		PEEK	Reinforced
6	Insert gasket		Graphite	
7	Seat 'O' ring		EPDM	Geothermal
8	Stem seals		Graphite	
9	Stem seals		PEEK	Reinforced
10	Stem seals		Stainless steel	AISI 304
13	Separator		Zinc plated carbon steel	SAE 1010
14	Belleville washer		Stainless steel	AISI 301
15	Gland nut		Zinc plated carbon steel	SAE 1010 / SAE 12L14
16	Upper stem nut		Zinc plated carbon steel	SAE 1010 / SAE 12L14
17	Locking plate		Stainless steel	AISI 304
18	Name-plate		Stainless steel	AISI 430
20	Lever		Zinc plated carbon steel	SAE 1010
21	Grip		Vinyl	
25	Stop screw		Zinc plated carbon steel	SAE 12L14
26	Split lock washer		Stainless steel	AISI 304

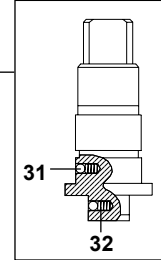
DN65



DN80 to DN150



DN65 to DN150



Materials

No.	Part		Material	
1	Body	M40Hi2 ISO	Zinc plated carbon steel	ASTM A216 WCB
		M40Hi3 ISO	Stainless steel	ASTM A351 CF8M
2	Insert	M40Hi2 ISO	Zinc plated carbon steel	SAE 1040
		M40Hi3 ISO	Stainless steel	AISI 316
3	Ball		Stainless steel	AISI 316 hardened surface
4	Stem		Stainless steel	AISI 316 / AISI 420
5	Seats		PEEK	Reinforced
6	Insert gasket		Graphite	
7	Seat 'O' ring		EPDM	Geothermal
8	Stem seal		EPDM	Geothermal
11	Lower stem seal		PEEK	Reinforced
12	Upper stem packing		Graphite	
13	Separator		Zinc plated carbon steel	SAE 1010
14	Belleville washer		Stainless steel	AISI 301
15	Gland nut		Zinc plated carbon steel	SAE 1010 / SAE 12L14
17	Locking plate		Stainless steel	AISI 304
18	Name-plate		Stainless steel	AISI 430
19	Stop plate with indicator	DN65 only	Zinc plated carbon steel	SAE 1010
20	Lever		Zinc plated carbon steel	SAE 1010
21	Grip		Vinyl	
22	Adaptor	DN65 only	Zinc plated SG iron	
23	Adaptor plate	DN65 only	Zinc plated carbon steel	SAE 1010
24	Adaptor with indicator	DN80 to DN150	Zinc plated SG iron	
25	Stop screw	DN80 to DN150	Zinc plated carbon steel	SAE 12L14
27	Adaptor screw		Zinc plated carbon steel	Grade 5
28	Stop screw	DN80 to DN150	Carbon steel	
29	Adaptor hex. nut	DN80 to DN150	Zinc plated carbon steel	
31	Antistatic device ball		Stainless steel	AISI 302
32	Antistatic device spring		Stainless steel	AISI 301

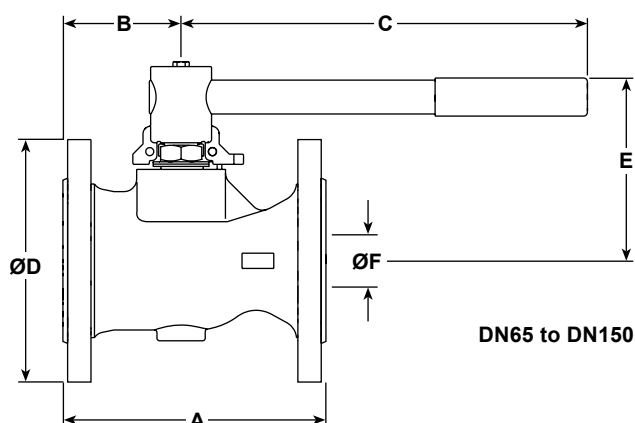
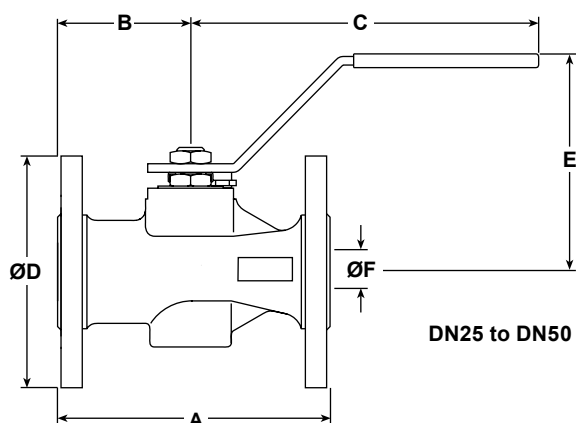
## Dimensions/weights (approximate) in mm and kg

### Flanged ASME 150

Size	A	B	C	D	E	F	Weight
DN25	127	62	162	108	101	19	2.9
DN32	140	65	182	118	106	25	3.8
DN40	165	70	186	127	118	30	5.4
DN50	178	75	186	152	123	37	7.9
DN65	190	79	278	178	144	50	12.0
DN80	203	91	417	191	157	57	15.8
DN100	229	98	517	229	172	75	24.8
DN150	267	130	700	279	205	100	43.8

### Flanged ASME 300

Size	A	B	C	D	E	F	Weight
DN25	165	62	162	124	101	19	4.5
DN32	178	65	182	134	106	25	5.7
DN40	190	70	186	156	118	30	8.2
DN50	216	75	186	165	123	37	10.3
DN65	241	79	278	190	144	50	16.0
DN80	283	91	417	210	157	57	22.3
DN100	305	98	517	254	172	75	36.1
DN150	403	130	700	318	205	100	66.6



## K<sub>v</sub> values

DN	25	32	40	50	65	80	100	150
K <sub>v</sub>	30	40	81	103	197	248	581	735

For conversion:  $C_v (UK) = K_v \times 0.963$      $C_v (US) = K_v \times 1.156$

## Operating torques (N m)

DN	25	32	40	50	65	80	100	150
N m	20	25	35	60	100	120	170	400

**Note:** The torque figures shown are for a valve that is frequently operated at the maximum operating pressure. Valves that are subject to long static periods, may require a greater break-out torque.

## Safety information, installation and maintenance

For full details see the Installation and Maintenance Instructions supplied with the product.

## How to order

Specify	Body material
	2 = Zinc plated carbon steel
	3 = Stainless steel

**Example:** 1 off Spirax Sarco DN50 M40Hi2 ISO ball valve having flanged ASME 150 connections.

## Optional extras:

- Self-venting ball.
- Extended stems to allow full insulation: 50 mm (2") for the DN25 to DN50 and 100 mm (4") for the DN65 to DN150.
- Lockable handle.
- 100 mm extended stem with lockable handle.

**DN25 to DN50 - Spare parts** (see page 6 for sizes DN65 - DN150)

The spare parts available are shown in solid outline. Parts drawn in broken line are not supplied as spares.

**Available spares**

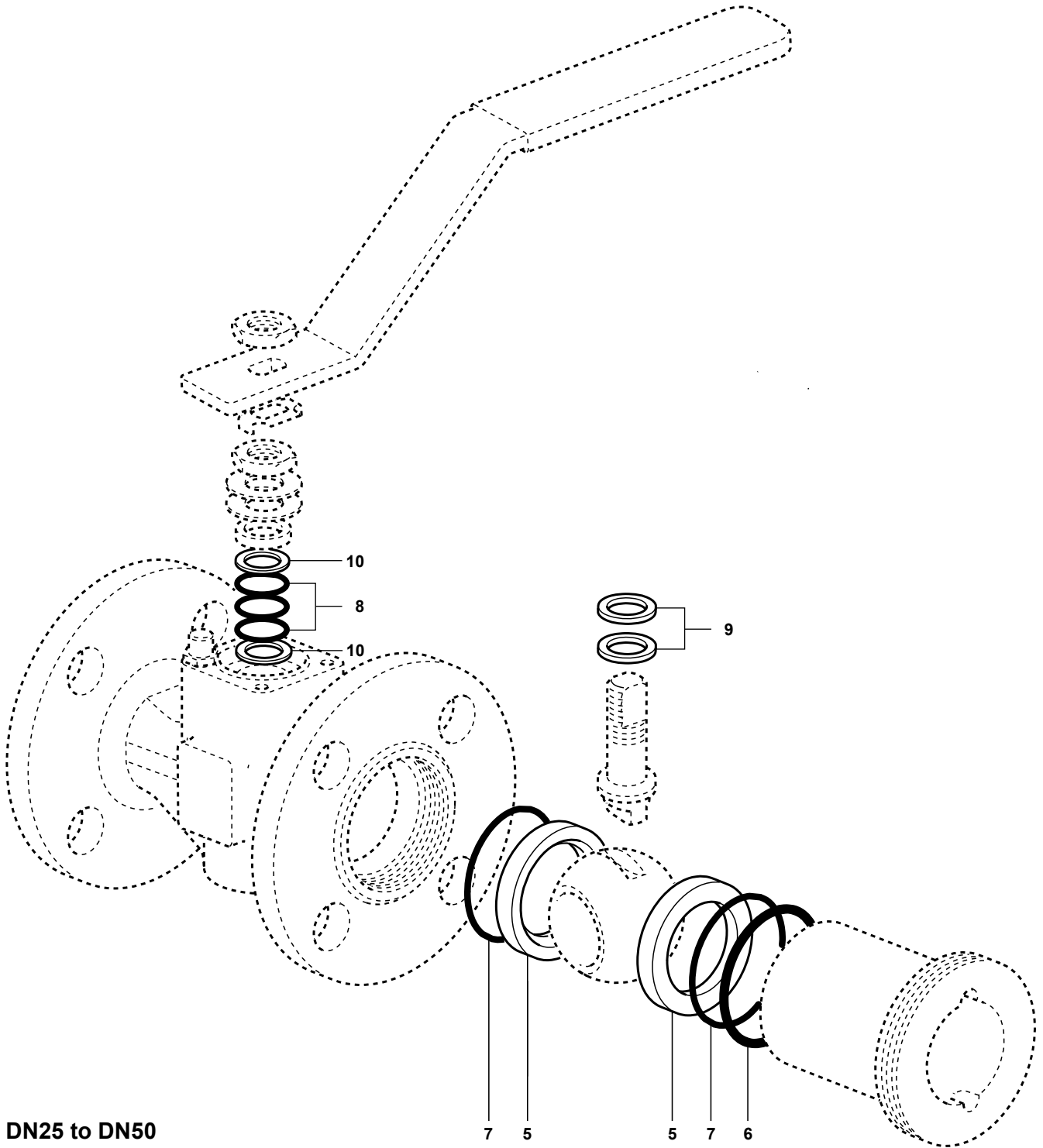
Seats, insert gasket, seat 'O' rings and stem seals

**5, 6, 7, 8, 9, 10**

**How to order spares**

Always order spares by using the description given in the column headed 'Available spares' and state the size and type of ball valve.

**Example:** 1 set of seats, insert gasket, seat 'O' rings and stem seals for a Spirax Sarco DN50 flanged PN40 M40Hi2 ball valve.



**DN65 to DN150 - Spare parts** (see page 5 for sizes DN25 - DN50)

The spare parts available are shown in solid outline. Parts drawn in broken line are not supplied as spares.

**Available spares**

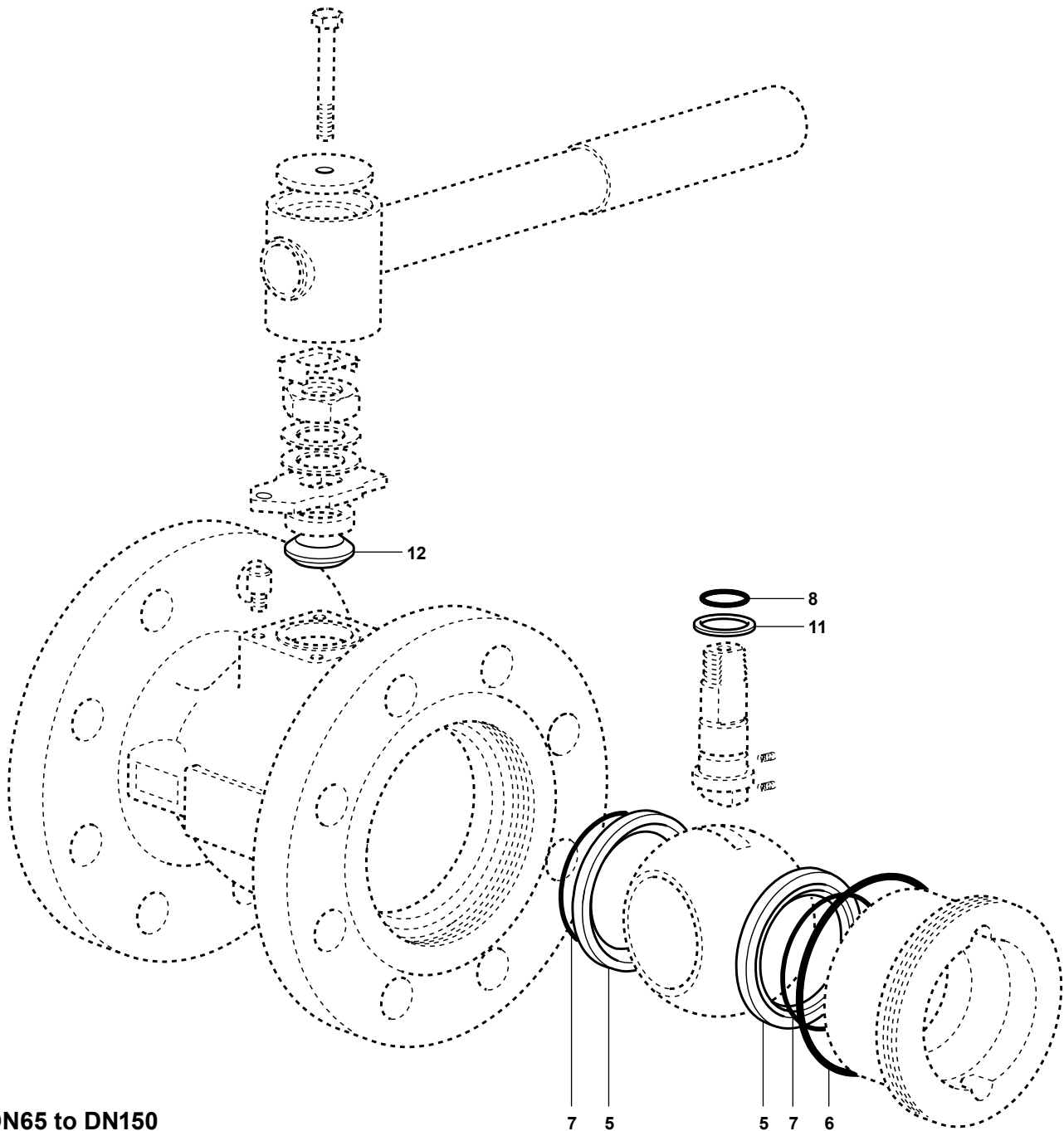
Seats, insert gasket, seat 'O' ring, stem 'O' ring, lower stem seal and upper stem packing

5, 6, 7, 8, 11, 12

**How to order spares**

Always order spares by using the description given in the column headed 'Available spares' and state the size and type of ball valve.

**Example:** 1 set of seats, insert gasket, seat 'O' ring, stem 'O' ring, lower stem seal and upper stem packing for a Spirax Sarco DN50 flanged PN40 M40Hi2 ball valve.



**DN65 to DN150**